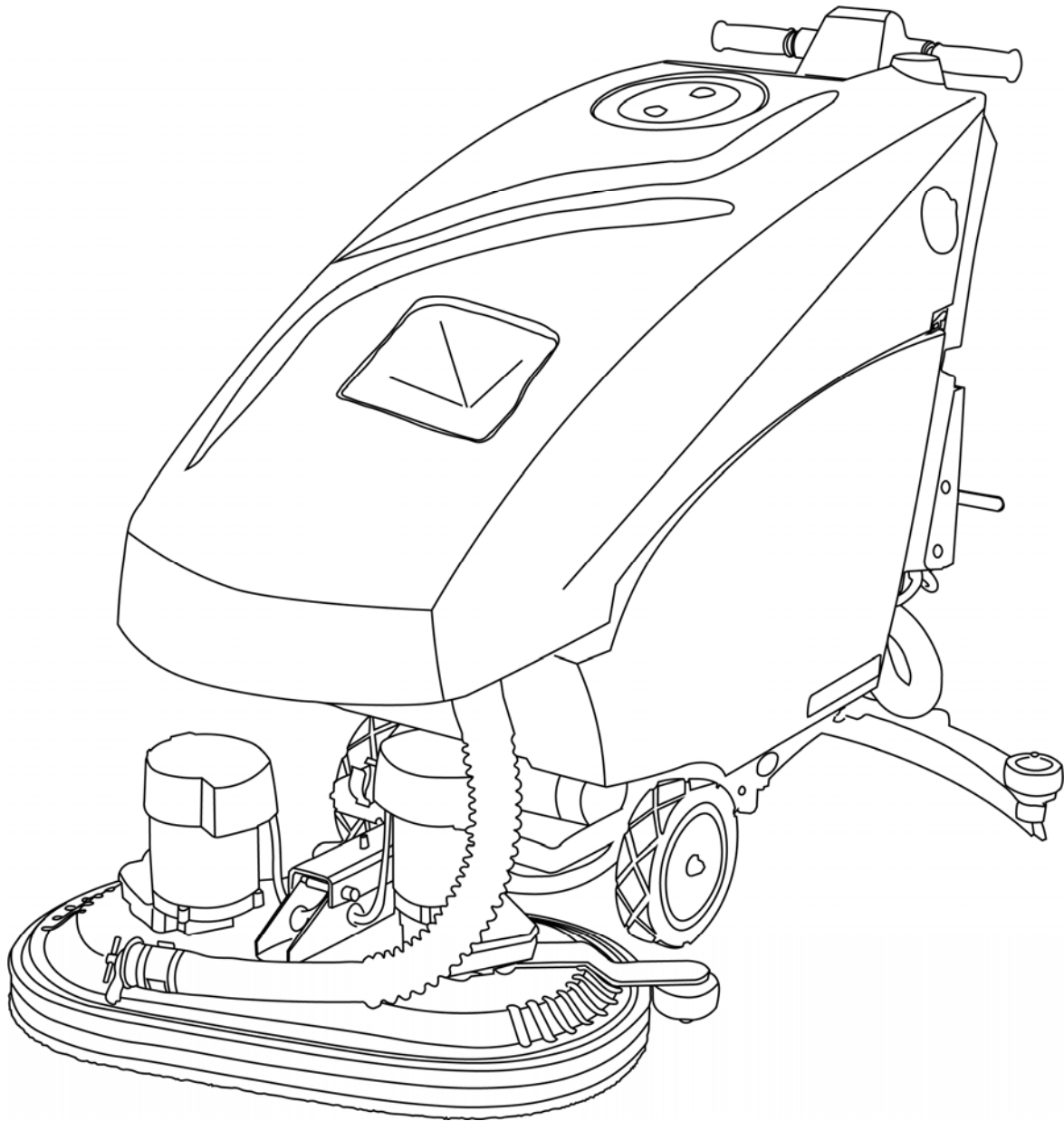


PARTS LIST

WRANGLER 2616 DB



SAVE THESE INSTRUCTIONS

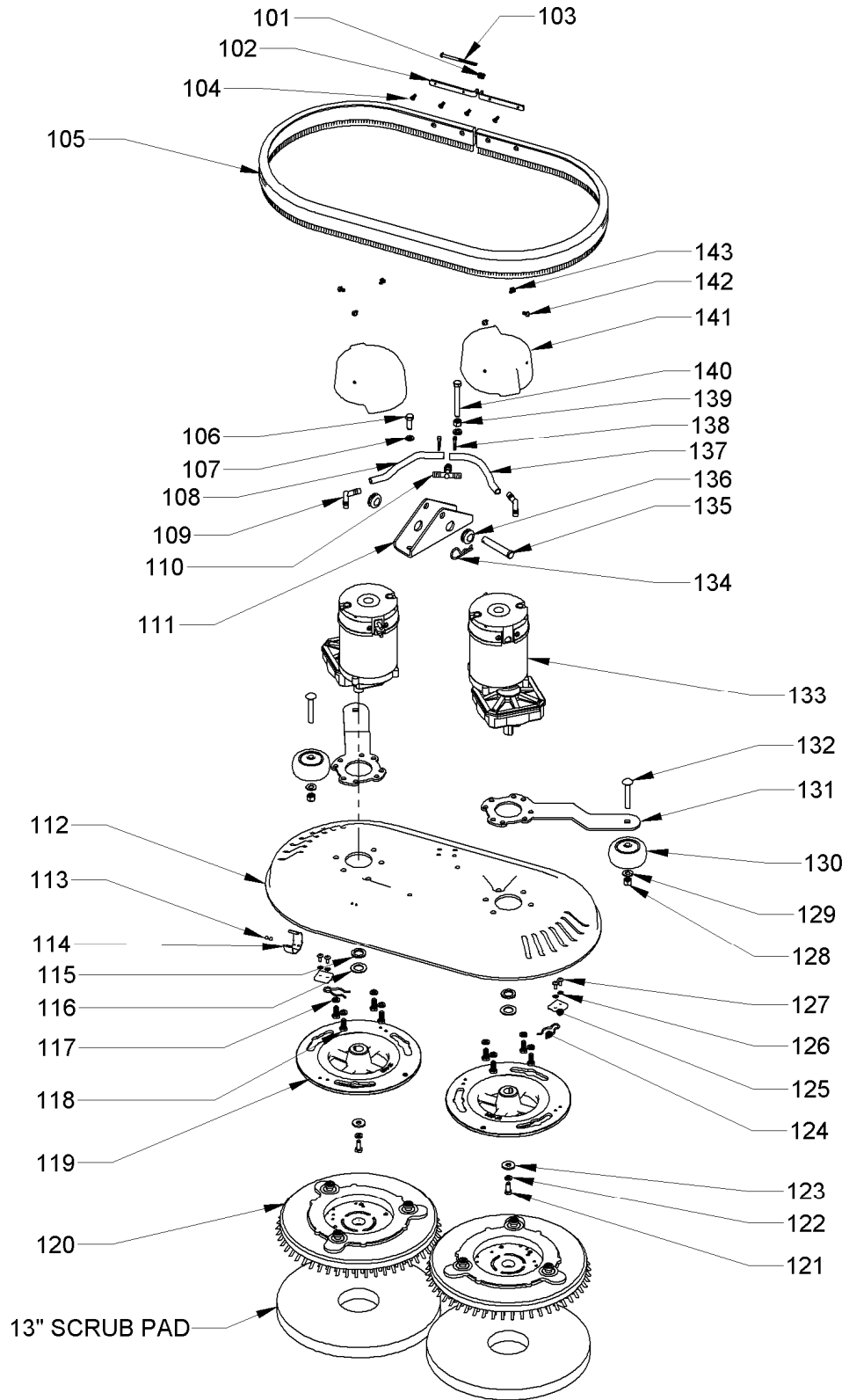


SCRUB DECK ASSEMBLY

<u>ITEM</u>	<u>PART NO.</u>	<u>DESCRIPTION</u>	<u>QTY</u>
101	9120360	#10-24 HEX NUT WITH STAR LOCK WASHER – PACK OF 10	2
102	8390251	BUMPER BRUSH BRACKET	2
103	9120493	#10-24 X 3" LONG ROUND HEAD SLOTTED MACHINE SCREW – PACK OF 2	1
104	9120540	#10-24 X 1/2" LONG FLAT HEAD PHILLIPS MACHINE SCREW – PACK OF 10	4
105	8390321	26" BUMPER BRUSH	1
106	9122260	3/8-16 X 1" LONG HEX BOLT - PACK OF 5	2
107	9122100	3/8 I.D. SPLIT LOCK WASHER - PACK OF 10	2
108	8791070	3/8 I.D. X 1/2 O.D. VINYL TUBING – CUT TO 7 1/8" LONG	0.59'
109	8390561	3/8 BARB 90° ELBOW FITTING	2
110	7691371	3/8 X 3/8 X 1/2 BARB TEE FITTING	1
111	2396561	BRACKET, DECK LIFT, 2616	1
112	8390301	26" SCRUB DECK CASTING	1
113	9120301	1/8 X 1/4 RIVET	2
114	7691921	SPRING CLIP, HOSE	1
116	9123105	3/4IDX1 1/4ODX.071THK WASHER	4
117	9124030	M8 – 1.25 X 25mm LONG HEX HEAD CAP SCREW	8
118	9121520	5/16 SPLIT LOCK WASHER – PACK OF 10	8
119	2790202	DRIVER PLATE CASTING	2
120	2694491	13" PAD DRIVER – EACH INCLUDES:	2
	5990731	SPRING CLIP PAD HOLDER SET	1
121	9121680	5/16-18 X 1" LONG HEX HEAD BOLT – PACK OF 5	2
122	9121520	5/16 SPLIT LOCK WASHER – PACK OF 10	2
123	9121985	13/32 I.D. X 1" O.D. X 11GA THICK FLAT WASHER – PACK OF 1	2
124	8391541	7/8" SHAFT HAIRPIN CLIP	1
125	8391531	7/8" HAIRPIN CLIP RETAINER	1
126	9120330	#10 EXTERNAL STAR LOCK WASHER – PACK OF 10	2
127	9120510	#10-24 X 1/2 TRUSS HEAD PHILLIPS MACHINE SCREW – PACK OF 10	2
128	9122140	3/8-16 HEX NUT WITH NYLOK – PACK OF 5	2
129	9121980	7/16 I.D. X 1" O.D. X .075 THICK FLAT WASHER – PACK OF 2	2
130	8390471	WHEEL ASSY, PPR 3 X 1-1/4	2
131	2396671	BRACKET, BUMPER WHEEL, SKIRT	2
132	9122081	BOLT, CARRIAGE, 3/8-16 x 2-1/2 LG - PACK OF 2	2
133	8393421	BRUSH MOTOR	2
	2792681	1/4" SQUARE X 1" LONG MOTOR KEY	2
	8394161	CARBON BRUSH REPLACEMENT	2
	6499951	REPLACEMENT BRUSH COVER	2
	6291911	REPLACEMENT 25A FUSE (INLINE FUSE HOLDER IN WIRING HARNESS)	2
134	7690491	HAIR COTTER PIN	1
135	9122685	1/2 X 2-7/8 CLEVIS PIN	1
136	8392281	GROMMET, 5/8 ID, 7/8 HOLE X 1/4 PNL THK	2
137	8791070	3/8 I.D. X 1/2 O.D. VINYL TUBING – CUT TO 6 5/8" LONG	0.55'
138	9123005	1/8 X 5 1/2" LONG WIRE TIE – PACK OF 5	2
139	9122000	3/8 HEX NUT (PACK OF 10)	1
140	9122350	3/8 – 16 X 3 HEX CP SCREW	1
141	2396581	MOTOR COVER	2
142	9120720	10-32x3/8 RND HD PHIL M/S - PACK OF 10	6
143	9120330	#10 EXT STAR LOCK WASHER - PACK OF 10	6



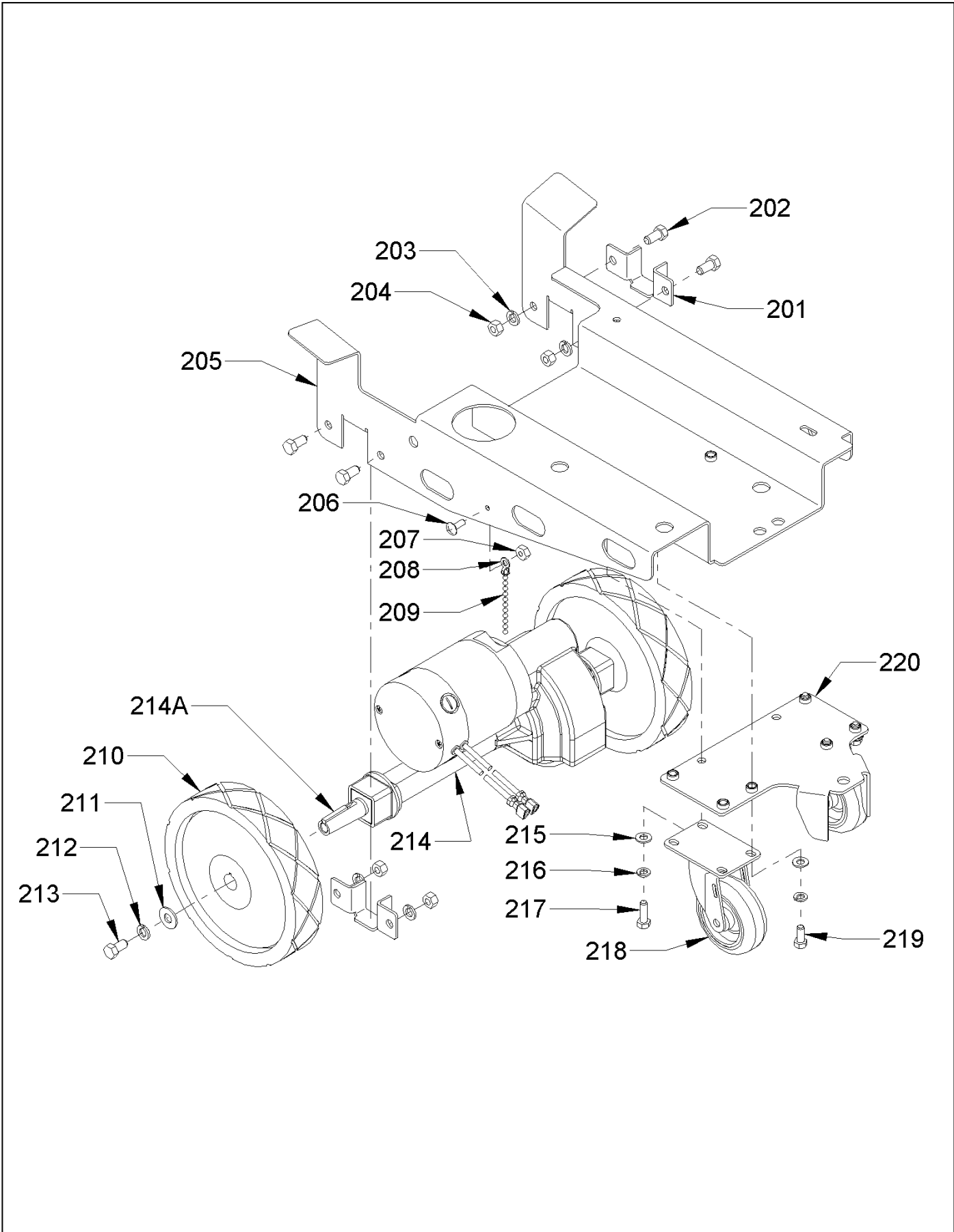
SCRUB DECK ASSEMBLY



FRAME ASSEMBLY

ITEM	PART NO.	DESCRIPTION	QTY
201	2397111	TRANSAXLE BRACKET	2
202	9122220	3/8-16 X 3/4 HEX BOLT [PACK OF 5]	4
203	9122100	3/8 SPLIT LOCK WASHER [PACK OF 10]	4
204	9122000	3/8-16 HEX NUT [PACK OF 10]	4
205	2398011	FRAME	1
206	9120510	#10-24 X 1/2 TRUSS HEAD PHILLIPS SCREW [PACK OF 10]	1
207	9120360	#10-24 HEX NUT WITH STAR LOCK WASHER [PACK OF 10]	1
208	6491871	END COUPLING ROUND BEAD CHAIN	1
209	6491860	ROUND BEAD CHAIN (CUT TO 6")	.5'
210	2396351	WHEEL - DRIVE, Ø8" X 2" TREAD WIDTH	2
211	9121985	13/32 I.D. X 1 O.D. X .12 THICK SAE FLAT WASHER [PACK OF 1]	2
212	9122100	3/8 SPLIT LOCK WASHER [PACK OF 10]	2
213	9122220	3/8-16 X 3/4 HEX BOLT [PACK OF 5]	2
214	2393901	TRANSAXLE	1
214A	9120826	3/16 SQUARE X 1 1/4" LONG KEY [PACK OF 2]	2
	2693181	BRUSH KIT (SET OF 4 FOR TRANSAXLE MOTOR)	1
215	9121390	11/32 I.D. X 11/16 O.D. X .051/.080 THICK FLAT WASHER (5/16) [PACK OF	8
216	9121520	5/16 SPLIT LOCK WASHER [PACK OF 10]	8
217	9121680	5/16-18 X 1 HEX BOLT [PACK OF 5]	2
218	2398031	CASTER 3 1/2 WHEEL SWIVEL TOP – INCLUDES	2
219	9121640	5/16-18 X 3/4 HEX BOLT [PACK OF 5]	6
220	2396541	CASTER MOUNT PLATE	1

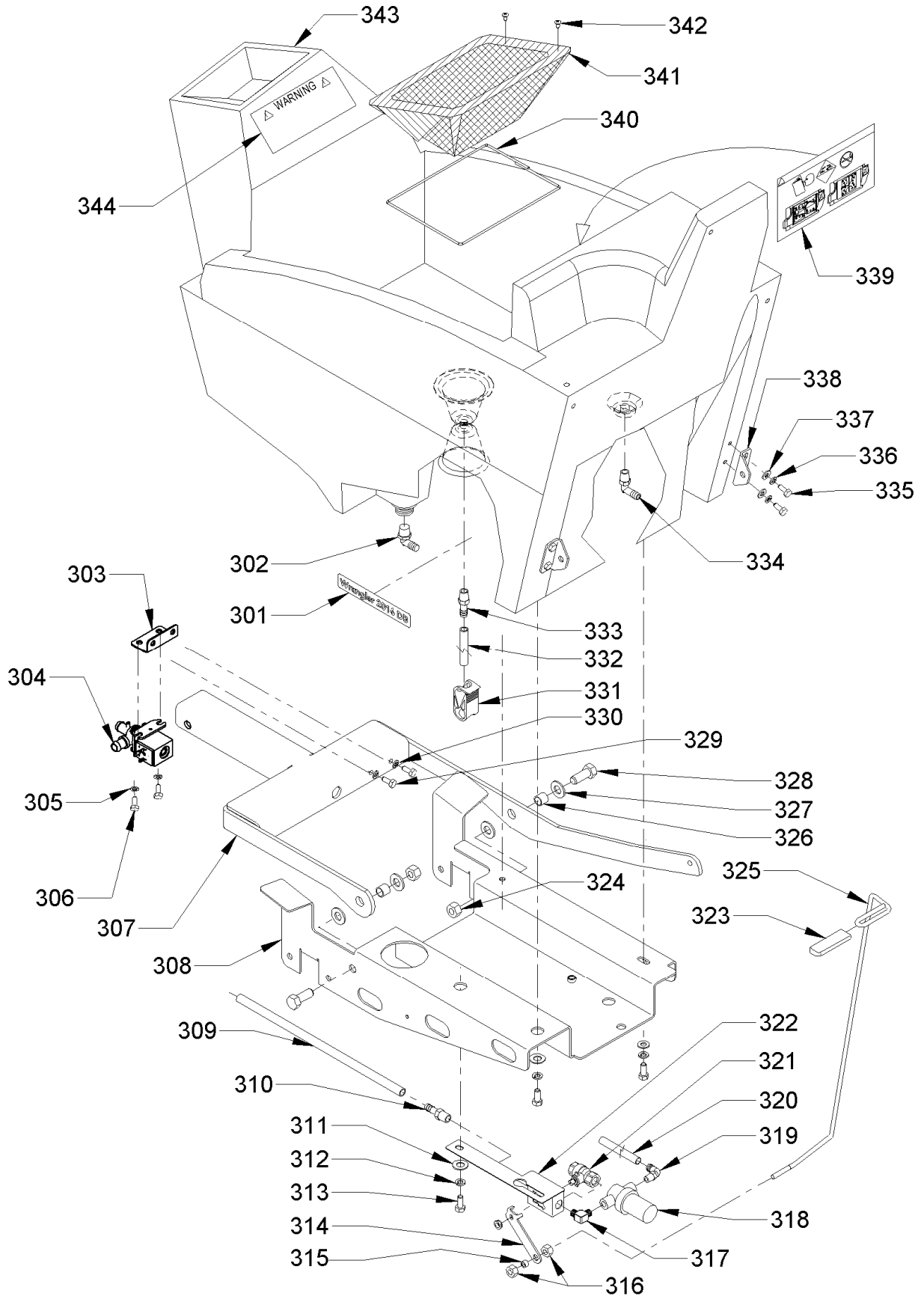
FRAME ASSEMBLY



SOLUTION TANK TO FRAME ASSEMBLY

ITEM	PART NO.	DESCRIPTION	QTY
301	2396771	DECAL, DOMED UR, WRANGLER 2616DB	2
302	2393951	90° ELBOW, 1/2 M-NPT X 1/2 BARB	1
303	2396571	BRACKET, SOLUTION SOLENOID VALVE	1
304	2397991	WATER SOLENOID 24 VOLT	1
305	9120880	1/4 SPLIT LOCK WASHER [PACK OF 10]	2
306	9121210	1/4-20 X 5/8 HEX BOLT [PACK OF 10]	2
307	2396551	DECK LIFT, 2616	1
308	2398011	FRAME	1
309	8791180	VINYL HOSE 1/2 I.D. X 3/4 O.D. (9" LENGTH)	.75'
310	2495161	FITTING 1/4 NPT X 1/2 BARB STRAIGHT	1
311	9121390	11/32 I.D. X 11/16 O.D. X .051/.080 THICK SAE FLAT WASHER (5/16) [PK 10]	4
312	9121520	5/16 SPLIT LOCK WASHER [PACK OF 10]	4
313	9121580	5/16-18 X 3/4 BUTTON HEAD CAP SCREW [PACK OF 5]	4
314	2397981	VALVE LEVER LARGE PIVOT HOLE	1
315	2791281	BUSHING SPACER	1
316	9120900	1/4-20 HEX NUT WITH NY-LOK INSERT [PACK OF 10]	2
317	2393281	90° ELBOW, 1/4 NPT X 1/4 NPT	1
318	3393551	INLINE CANISTER STRAINER (INCLUDES)	1
	3393611	STRAINER ELEMENT	1
	3394559	KIT, BOWL & GASKET (INCLUDES)	1
	3393621	GASKET	1
	3392731	BOWL	1
319	2495151	FITTING, ELL 1/2 BARB X 1/4 NPT – NYLON	1
320	8791180	VINYL HOSE 1/2 I.D. X 3/4 O.D. (37" LENGTH)	3.08'
321	2397961	MANUAL SOLUTION VALVE, STEEL STEM	1
322	2397971	2016 VALVE BRACKET	1
323	2391181	GRIP, VALVE LEVER	1
324	9122507	1/2-13 HEX NUT WITH NY-LOK INSERT [PACK OF 1]	2
325	2397191	HANDLE SOLUTION VALVE	1
326	2790751	BUSHING SPACER	2
327	9122450	17/32 I.D. X 1 1/16 O.D. X .074/.121 THICK SAE FLAT WASHER (1/2) [PK 5]	4
328	9122550	1/2-13 X 2 HEX BOLT [PACK OF 1]	2
329	9121210	1/4-20 X 5/8 HEX BOLT [PACK OF 10]	2
330	9120880	1/4 SPLIT LOCK WASHER [PACK OF 10]	2
331	3390661	TUBBING CONTROL VALVE	1
332	8791070	VINYL HOSE, 3/8 I.D. X 1/2 O.D. (30" LENGTH)	2.5'
333	2397551	FITTING 1/4 NPT X 3/8 BARB	1
334	2391771	90° HOSE BARB 3/4 I.D. X 1/2 NPT NYLON	1
335	9121210	1/4-20 X 5/8 HEX BOLT [PACK OF 10]	4
336	9120880	1/4 SPLIT LOCK WASHER [PACK OF 10]	4
337	9120930	9/32 I.D. X 5/8 O.D. X .051/.080 THICK WASHER (1/4) [PACK OF 10]	4
338	2397611	HINGE BRACKET	2
339	2393831	LABEL, BATTERY CONNECTIONS	1
340	2397541	BAG RING	1
341	2397531	SOLUTION INLET FILTER	1
342	9120205	#8 X 1/2 PAN HEAD PHILLIPS SHEET METAL SCREW [PACK OF 3]	2
343	2397071	SOLUTION TANK	1
344	3394141	OBC WARNING LABEL	1

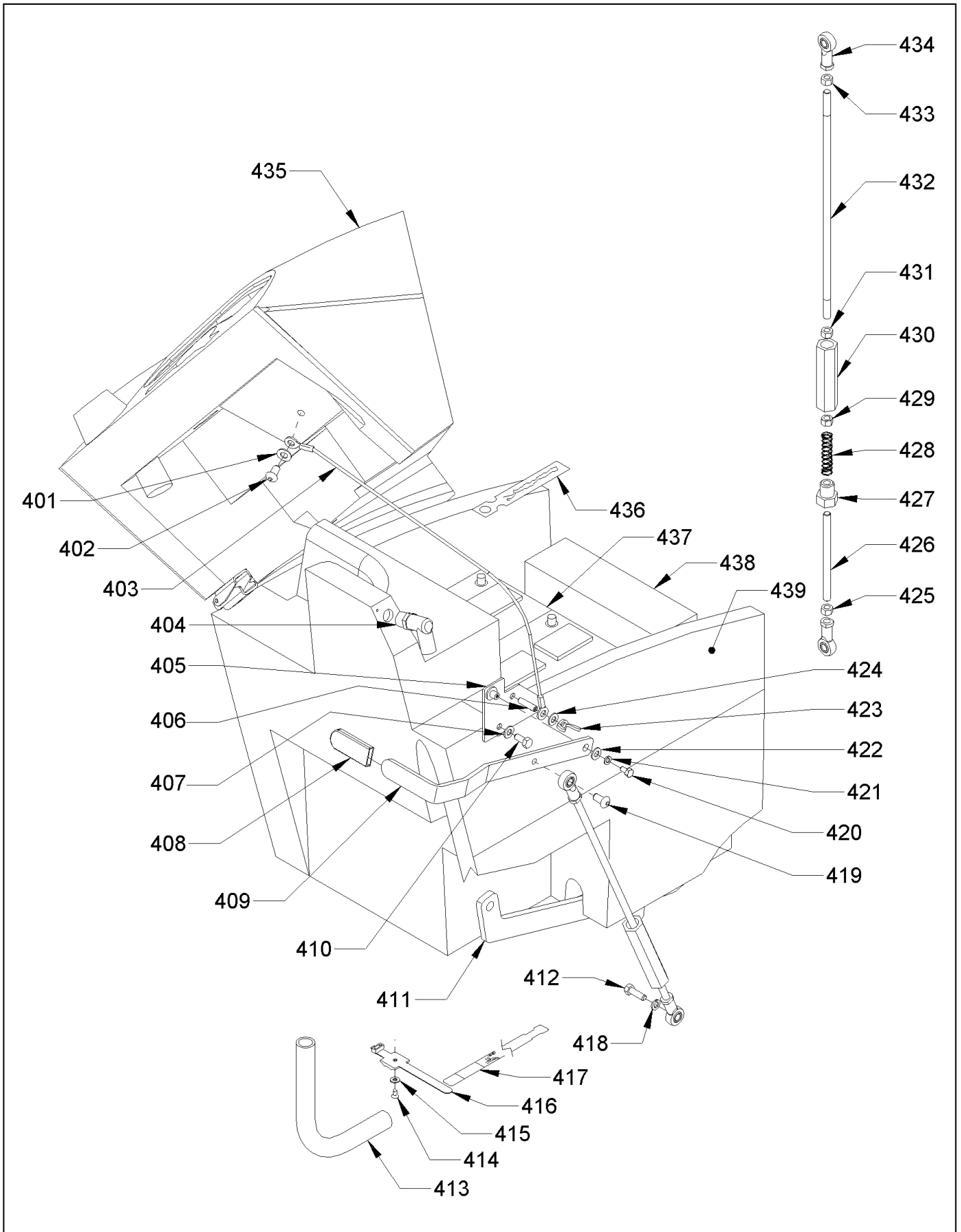
SOLUTION TANK TO FRAME ASSEMBLY



BRUSH LIFT ASSEMBLY

<u>ITEM</u>	<u>PART NO.</u>	<u>DESCRIPTION</u>	<u>QTY</u>
401	9121960	3/8 EXTERNAL STAR LOCK WASHER [PACK OF 10]	1
402	9122030	3/8-16 X 3/4 BUTTON HEAD SOCKET SCREW [PACK OF 2]	1
403	2694261	CABLE	1
404	2391771	90° HOSE BARB 3/4 I.D. X 1/2 NPT NYLON	1
405	2397291	BRACKET DECK LIFT HANDLE	1
406	9121383	5/16-18 X 1 1/4 SET SCREW [PACK OF 1]	1
407	9121410	5/16 EXTERNAL STAR LOCK WASHER [PACK OF 10]	3
408	2397331	DECK LIFT HANDLE GRIP	1
409	2397281	HANDLE DECK LIFT	1
410	9121640	5/16-18 X 3/4 HEX BOLT [PACK OF 5]	2
411	2396551	DECK LIFT, 2616	1
412	9122260	3/8-16 X 1 HEX BOLT [PACK OF 2]	1
413	8791030	VINYL HOSE, 3/4" I.D. X 1" O.D. 1/8 THICK (38" LENGTH)	3.2'
414	9120540	#10-24 X 1/2 FLAT HEAD PHILLIPS MACHINE SCREW [PACK OF 10]	1
415	9120330	#10 EXTERNAL STAR LOCK WASHER [PACK OF 10]	1
416	2397271	UNIVERSAL MOUNTING STRAP	1
417	2397421	SOLUTION GAUGE	1
418	9122100	3/8 SPLIT LOCK WASHER [PACK OF 10]	1
419	9122030	3/8-16 X 3/4 BUTTON HEAD SOCKET SCREW [PACK OF 2]	1
420	9121160	1/4-20 X 3/8 HEX BOLT [PACK OF 10]	1
421	9120880	1/4 SPLIT LOCK WASHER [PACK OF 10]	1
422	9120930	9/32 I.D. X 5/8 O.D. X .051/.080 THICK SAE FLAT WASHER (1/4) [PK OF 10]	1
423	9121440	5/16-18 WING NUT [PACK OF 2]	1
424	9121960	3/8 EXTERNAL STAR LOCK WASHER [PACK OF 10]	1
425	9122010	3/8-24 HEX NUT [PACK OF 5]	1
426	2691811	SHORT LIFT ROD, BRUSH	1
427	2691831	HOUSING - SPRING, RETAINER	1
428	2691841	SPRING, BRUSH PRESSURE	1
429	9122140	3/8-16 HEX NUT WITH NY-LOK INSERT [PACK OF 5]	1
430	2691821	HOUSING - SPRING, BRUSH LIFT	1
431	9122000	3/8-16 HEX NUT [PACK OF 10]	1
432	2397581	LIFT ROD 13"	1
433	9122010	3/8-24 HEX NUT [PACK OF 5]	1
434	4490531	3/8" ROD END	2
435	2397061	RECOVERY TANK	1
436	2392761	WARNING TAG - BATTERY TERMINAL	1
437	3390361	BATTERY, WET, 6 VOLT, 235 AMP/HOUR	4
438	6496031	BATTERY BLOCK	2
439	2397071	SOLUTION TANK	1

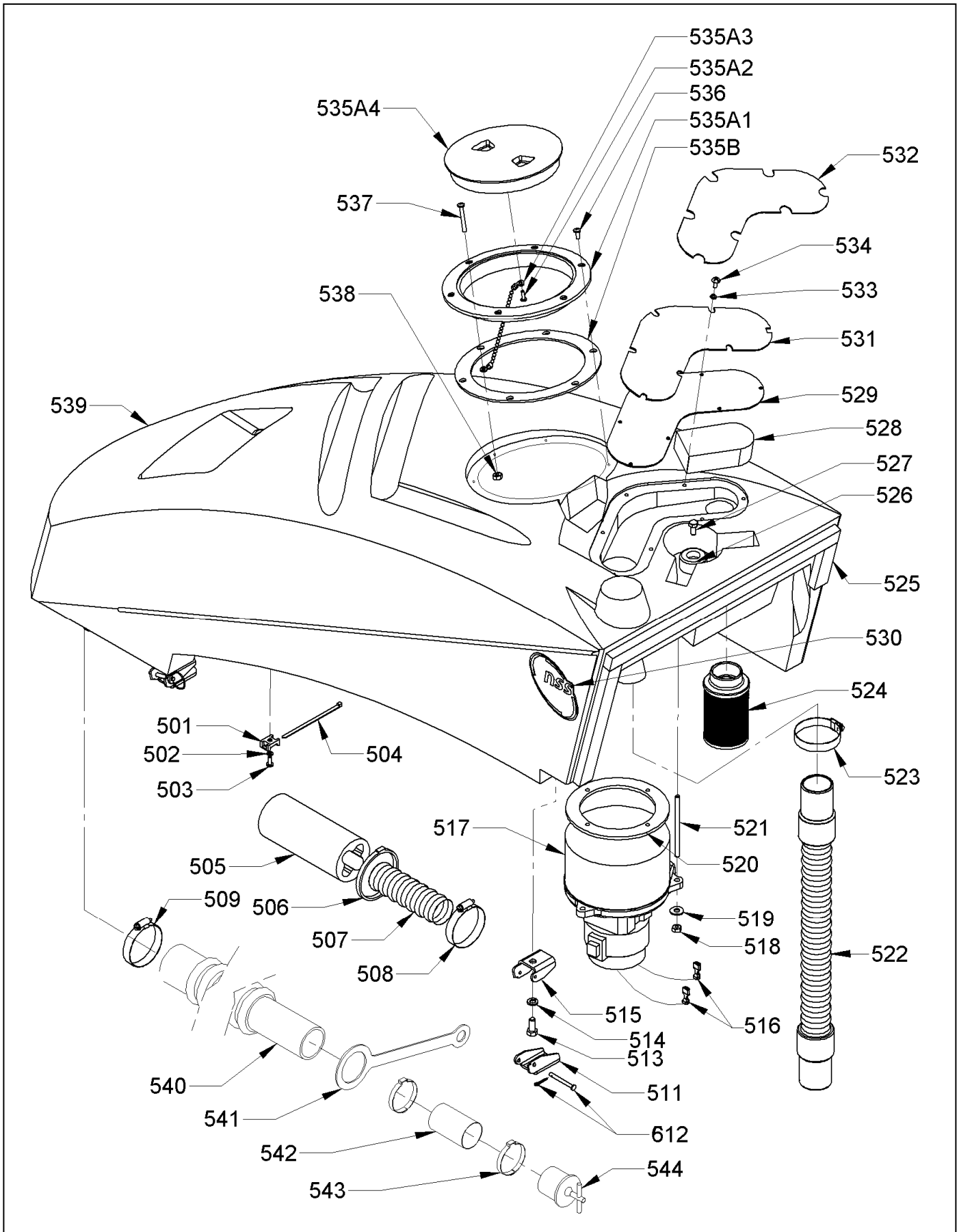
BRUSH LIFT ASSEMBLY



RECOVERY TANK ASSEMBLY

ITEM	PART NO.	DESCRIPTION	QTY
501	2397671	CLIP, TIE STRAP	1
502	9120330	#10 EXTERNAL STAR LOCK WASHER [PACK OF 10]	1
503	9120510	#10-24 X 1/2 TRUSS HEAD PHILLIPS MACHINE SCREW [PACK OF 10]	1
504	9123000	11" LONG WIRE TIE [PACK OF 5]	1
505	7691261	EXHAUST MUFFLER TUBE	1
506	9123000	11" LONG WIRE TIE [PACK OF 5]	1
507	2397691	VAC MOTOR HOSE EXHAUST - 18" LONG	1
508	4495441	HOSE CLAMP - 1 9/16 TO 2 1/2	1
509	4495441	HOSE CLAMP - 1 9/16 TO 2 1/2	1
511	2397031	LOWER HINGE BRACKET	2
512	2393931	CLEVIS PIN, Ø 3/16" X 1 3/4" LONG	2
513	9121570	5/16-18 X 1/2 BUTTON SOCKET HEAD CAP SCREW [PACK OF 5]	5
514	9121410	5/16 EXTERNAL STAR LOCK WASHER [PACK OF 10]	5
515	2397021	UPPER HINGE BRACKET	2
516	5490161	FULLY INSULATED FEMALE TERMINAL 14-16 AWG	2
517	2395571	MOTOR, VAC 24 VOLT - 3 STAGE	1
	2397571	CARBON BRUSH REPLACEMENT - 24 VOLT	2
518	9120900	1/4-20 HEX NUT WITH NY-LOK INSERT [PACK OF 10]	3
519	9120930	9/32 I.D. X 5/8 O.D. X .051/.080 THICK SAE FLAT WASHER (1/4) [PK 10]	3
520	4690101	VAC MOTOR / FLOAT GASKET	1
521	9121363	1/4-20 X 4 1/2 FULL THREADED STUD [PACK OF 2]	3
522	2690591	SQUEEGEE VAC HOSE WITH CUFFS	1
523	4892671	HOSE CLAMP - 1 1/16 TO 2	1
524	2391541	FLOAT SCREEN ASSEMBLY	1
525	8891100	GASKET MATERIAL 1/2" X 1" (CUT TO 26" LONG)	2.2'
526	4894461	RUBBER STOP (USED ON AB, DB MODELS)	1
527	9121010	1/4-20 X 3/4 TRUSS HEAD PHILLIPS MACHINE SCREW [PACK OF 5]	1
528	2397591	VAC FILTER	1
529	2397441	VAC PLATE GASKET	1
530	2694921	NSS LOGO LABEL	2
531	2397411	VAC PLATE	1
532	2394011	VAC PLATE COVER LABEL	1
533	9120330	#10 EXTERNAL STAR LOCK WASHER [PACK OF 10]	7
534	9120510	#10-24 X 1/2 TRUSS HEAD PHILLIPS MACHINE SCREW [PACK OF 10]	7
535	2690889	RECOVERY TANK LID AND GASKET ASSEMBLY - INCLUDES:	1
535A	2690881	RECOVERY TANK LID ASSEMBLY - INCLUDES:	1
535A1	2690921	CLEAR RING, RECOVERY TANK	1
535A4	2690911	LID - CLEAR	1
535A2	9120205	#8 X 1/2 PAN HEAD PHILLIPS SHEET METAL SCREW [PACK OF 3]	1
535A3	2690931	LID CHAIN	1
535B	2690891	RECOVER TANK LID GASKET	1
536	9120205	#8 X 1/2 PAN HEAD PHILLIPS SHEET METAL SCREW [PACK OF 3]	5
537	9120450	#10-24 X 1 ROUND HEAD PHILLIPS MACHINE SCREW [PACK OF 10]	1
538	9120360	#10-24 HEX NUT WITH STAR LOCK WASHER [PACK OF 10]	1
539	2397061	RECOVERY TANK	1
540	2391671	DRAIN HOSE - CRUSH PROOF	1
541	2791881	PLUG STRAP	1
542	2391661	HOSE TUBE	1
543	2393451	HOSE CLAMP - 1 13/16 - STAINLESS	2
544	2795621	DRAIN PLUG	1

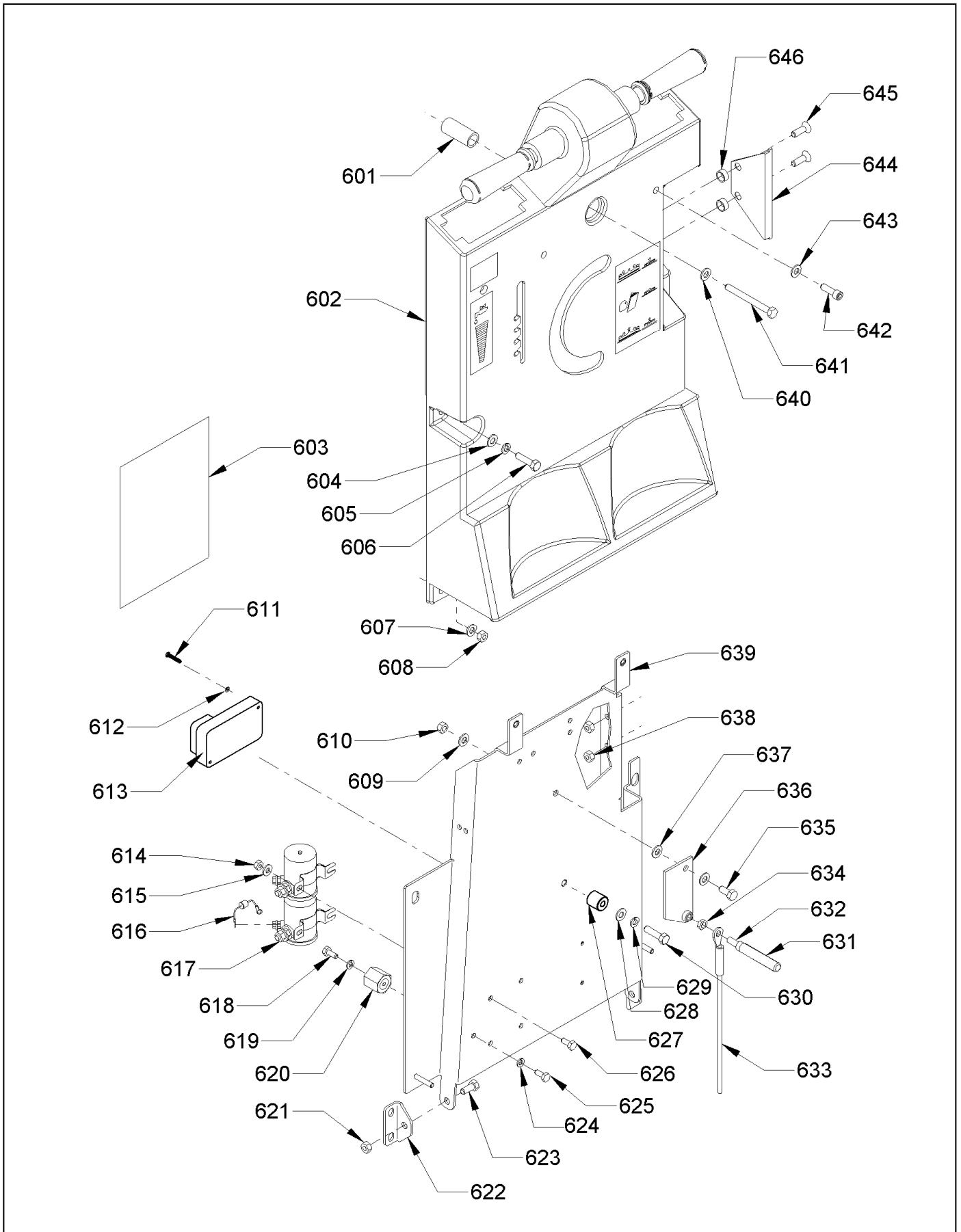
RECOVERY TANK ASSEMBLY



REAR PANEL ASSEMBLY

ITEM	PART NO.	DESCRIPTION	QTY
601	2397371	HANDLE SPACER	1
602	2397171	HANDLE, DB	1
603	2393811	WIRE LABEL DB	1
604	9121390	11/32 I.D. X 11/16 O.D. X .051/.080 THICK SAE FLAT WASHER (5/16) [PACK	2
605	9121520	5/16 SPLIT LOCK WASHER [PACK OF 10]	2
606	9121720	5/16-18 X 1 1/4 FULL THREADED HEX HEAD BOLT [PACK OF 2]	2
607	9120930	9/32 I.D. X 5/8 O.D. X .051/.080 THICK SAE FLAT WASHER (1/4) [PACK OF	1
608	9120910	1/4-20 HEX NUT WITH STAR LOCK WASHER [PACK OF 10]	4
609	9120930	9/32 I.D. X 5/8 O.D. X .051/.080 THICK SAE FLAT WASHER (1/4) [PACK OF	1
610	9120900	1/4-20 HEX NUT WITH NY-LOK INSERT [PACK OF 10]	1
611	9120285	#8-32 X 1-1/8 LG ROUND HEAD PHILLIPS MACH SCREW – PACK OF 5	2
612	9120200	#8 LOCK WASHER	2
613	2396721	SPEED CONTROL (USED ON DB ONLY)	1
614	9120910	1/4-20 HEX NUT WITH STAR LOCK WASHER [PACK OF 10]	4
615	9120930	9/32 I.D. X 5/8 O.D. X .051/.080 THICK SAE FLAT WASHER (1/4) [PACK OF	4
616	2792241	SILICON RECTIFIER (USED ON DB ONLY)	2
617	2391351	CONTACTOR, 24 VOLT	2
618	9121210	1/4-20 X 5/8 HEX BOLT [PACK OF 10]	1
619	9120880	1/4 SPLIT LOCK WASHER [PACK OF 10]	1
620	4490561	INSULATED STANDOFF	1
621	9121430	5/16-18 HEX NUT WITH NY-LOK INSERT [PACK OF 5]	2
622	2397611	HINGE BRACKET	2
623	9121600	5/16-18 X 5/8 HEX BOLT [PACK OF 5]	2
624	9120970	1/4 EXTERNAL STAR LOCK WASHER [PACK OF 10]	1
625	9121170	1/4-20 X 1/2 HEX BOLT [PACK OF 10]	1
626	9121250	1/4-20 X 3/4 HEX BOLT [PACK OF 10]	4
627	2396591	GUIDE SQUEEGEE CABLE CENTERING	1
628	9121390	11/32 I.D. X 11/16 O.D. X .051/.080 THICK SAE FLAT WASHER (5/16) [PACK	2
629	9121520	5/16 SPLIT LOCK WASHER [PACK OF 10]	2
630	9121720	5/16-18 X 1 1/4 FULL THREADED HEX HEAD BOLT [PACK OF 2]	2
631	2397601	GRIP, SQUEEGEE LIFT HANDLE	1
632	2397131	SQUEEGEE LIFT HANDLE	1
633	2495301	Y SQUEEGEE LIFT CABLE 25"/63.5 cm	1
634	9121990	3/8-16 HEX JAM NUT [PACK OF 10]	1
635	9121680	5/16-18 X 1" LONG HEX BOLT [PACK OF 5]	1
636	2397141	SQUEEGEE LIFT HANDLE BRACKET	1
637	9121390	11/32 I.D. X 11/16 O.D. X .051/.080 THICK SAE FLAT WASHER (5/16) [PACK	2
638	9121430	5/16-18 HEX NUT WITH NY-LOK INSERT [PACK OF 5]	2
639	2396511	REAR PANEL	1
640	9121390	11/32 I.D. X 11/16 O.D. X .051/.080 THICK SAE FLAT WASHER (5/16) [PACK	1
641	9121370	5/16-18 X 3 1/4 HEX BOLT [PACK OF 2]	1
642	9121885	5/16-18 X 1 SOCKET HEAD CAP SCREW [PACK OF 2]	2
643	9121390	11/32 I.D. X 11/16 O.D. X .051/.080 THICK SAE FLAT WASHER (5/16) [PACK	2
644	2397651	BRACKET, DECK HEIGHT	1
645	9121470	5/16-18 X 1 FLAT HEAD PHILLIPS MACHINE SCREW [PACK OF 5]	2
646	2391461	BUSHING - LIFT LEVER	2

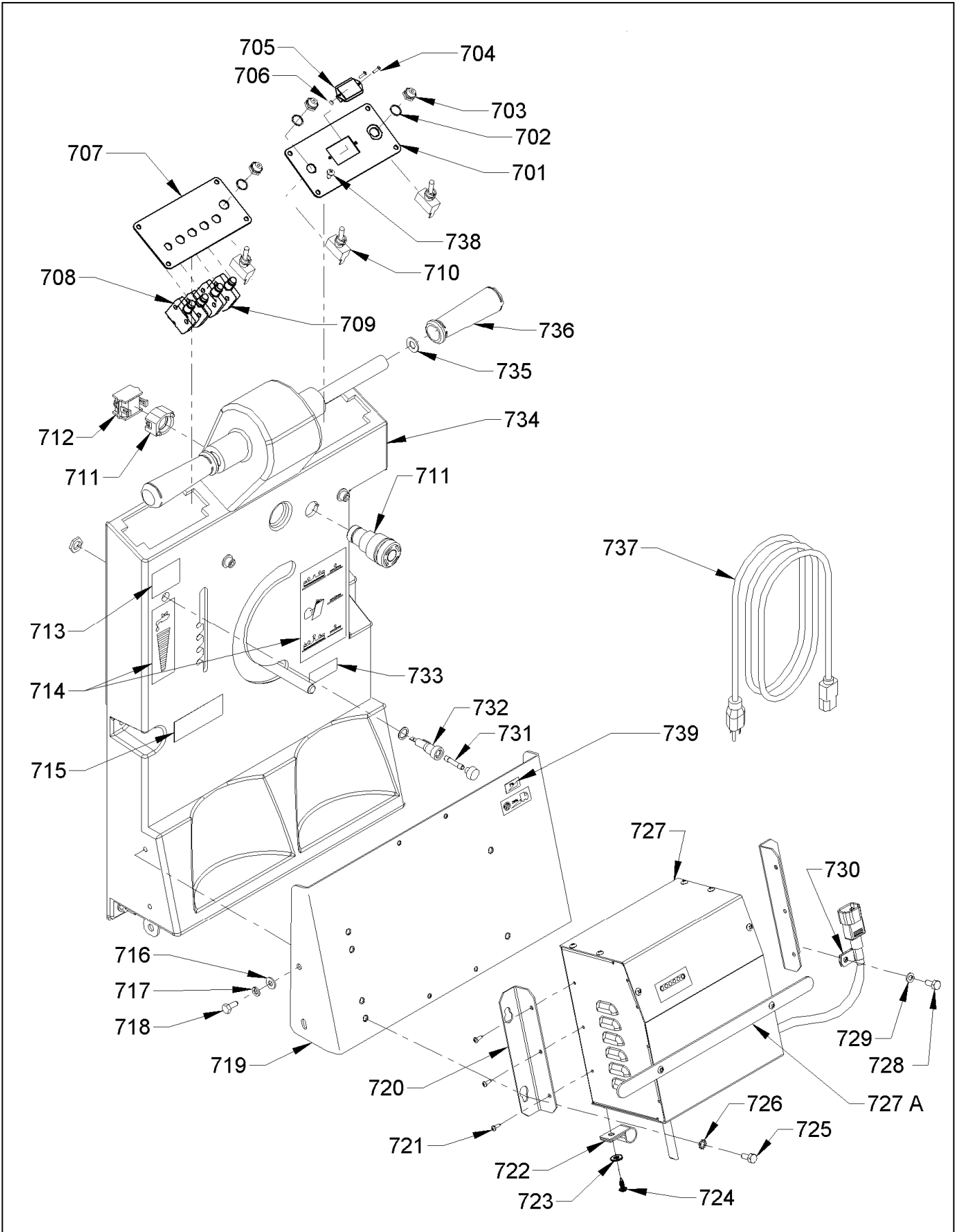
REAR PANEL ASSEMBLY



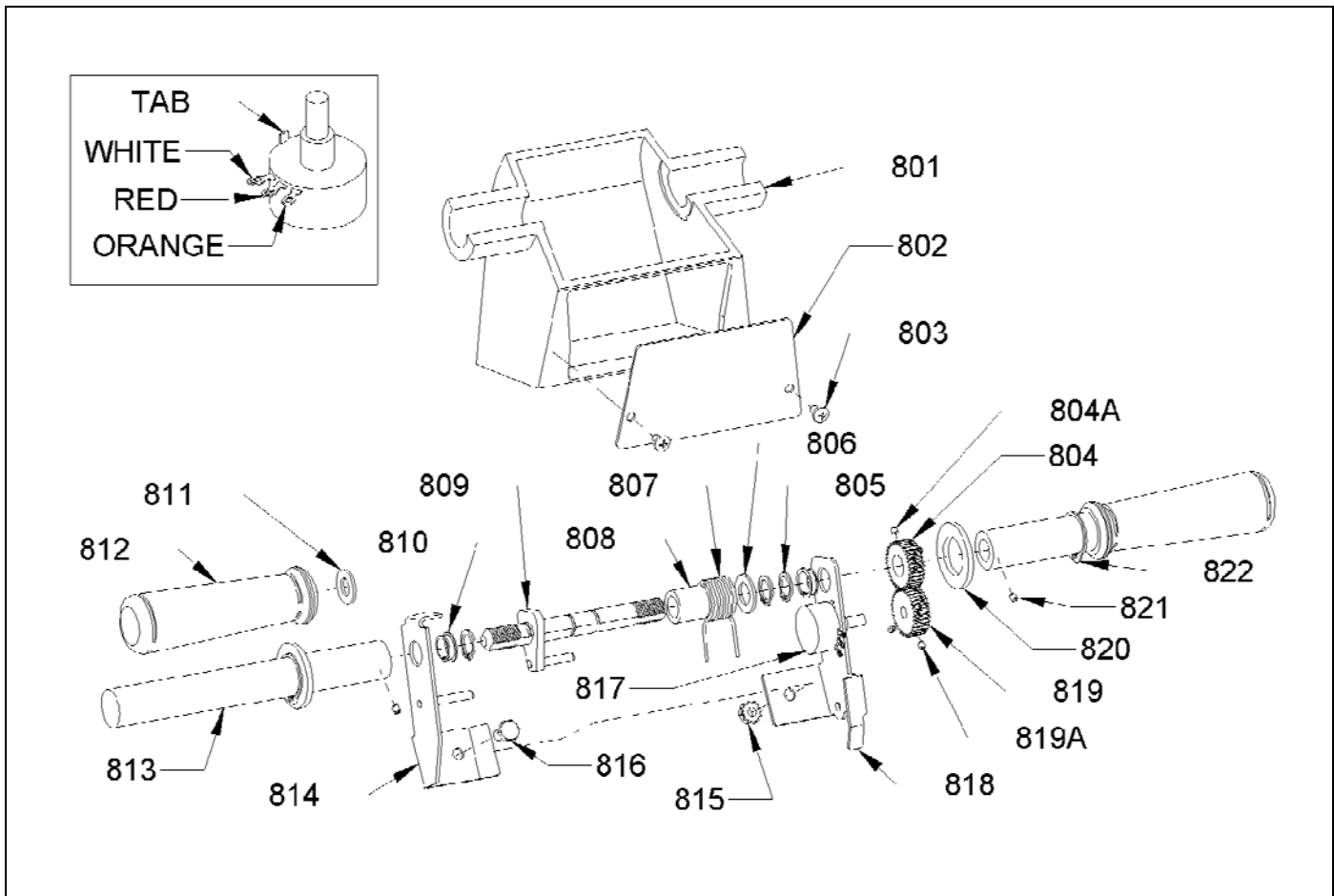
DB HANDLE ASSEMBLY

ITEM	PART NO.	DESCRIPTION	QTY
701	2396521	DASH PLATE, RIGHT, I-DRIVE	1
	2396751	DECAL, DASH PLATE, RT, I-DRIVE	1
702	9121975	1/2 INTERNAL STAR LOCK WASHER – PACK OF 5	3
703	2396801	RUBBER SWITCH BOOT	3
704	9120012	#4-40 X 3/8 LG PAN HEAD PHILLIPS MACHINE SCREW – PACK OF 5	2
705	3391351	TRUE CHARGE INDICATOR	1
706	9120015	#4-40 HEX NUT WITH STAR LOCK WASHER – PACK OF 10	2
707	2396531	DASH PLATE, LEFT, I-DRIVE	1
	2396761	DECAL, DASH PLATE, LT, I-DRIVE	1
708	2396711	CIRCUIT BREAKER 25 AMP (USED ON DB ONLY)	2
709	2396701	CIRCUIT BREAKER 20 AMP WITH SCREW TERMINALS	2
710	4491101	TOGGLE SWITCH	3
711	3393521	E-STOP (OPTIONAL)	1
712	7691301	E-STOP CONTACT BLOCK	1
713	3394721	FUSE LABEL	1
714	2398191	LABEL KIT	1
715	8392761	STRAINER LOCATION LABEL	1
716	9120930	9/32 I.D. X 5/8 O.D. X .051/.080 THICK FLAT WASHER (1/4) [PACK OF 10]	4
717	9120880	1/4 SPLIT LOCK WASHER [PACK OF 10]	4
718	9121210	1/4-20 X 5/8 HEX BOLT [PACK OF 10]	4
719	2398053	OBC MOUNT	1
720	2695841	BRACKET, MTG, DP CHARGER	2
721	9120810	#10 X 1/2 PAN HEAD PHILLIPS SHEET METAL SCREW [PACK OF 10]	6
722	4894071	CABLE CLAMP	1
723	9120370	7/32 I.D. X 1/2 O.D. X .032/.065 THICK FLAT WASHER [PACK OF 10]	1
724	9120205	#8 X 1/2 PAN HEAD PHILLIPS SHEET METAL SCREW [PACK OF 3]	1
725	9121210	1/4-20 X 5/8 HEX BOLT [PACK OF 10]	3
726	9120970	1/4 STAR LOCK WASHER [PACK OF 10]	3
727	2699851	ONBOARD CHARGER 24 VOLT 25 AMP, 120VAC	1
	2699951	ONBOARD CHARGER 24 VOLT 25 AMP, 240VAC	1
727A	2695861	CORD WRAP (INCLUDED WITH BATTERY CHARGER)	1
728	9121170	1/4-20 X 1/2 HEX BOLT [PACK OF 10]	1
729	9120880	1/4 SPLIT LOCK WASHER [PACK OF 10]	1
730	3291111	CORD CLAMP	1
731	6496451	FAST-ACTING FUSE 2 AMP	1
732	4990321	FUSE HOLDER WITH NUT AND WASHER	1
733	3394561	MAX INCLINE LABEL (DB MODELS ONLY)	1
734	2397171	HANDLE, DB	1
735	9121980	7/16 I.D. X 1 O.D. X .075/.080 THICK SAE FLAT WASHER (3/8) [PACK OF 2]	2
736	3392901	HANDLE GRIP	2
737	6495701	120 VOLT ONBOARD CHARGER CORD	1
	6495711	240 VOLT ONBOARD CHARGER CORD WITH SHUKO PLUG	1
738	9120790	#10 X 5/8 PAN HEAD PHILLIPS SHEET METAL SCREW [PACK OF 10]	8
739	2398291	MAX CLIMBING INCLINE LABEL (DB MODELS ONLY)	1

DB HANDLE ASSEMBLY



DB TWIST GRIP ASSEMBLY

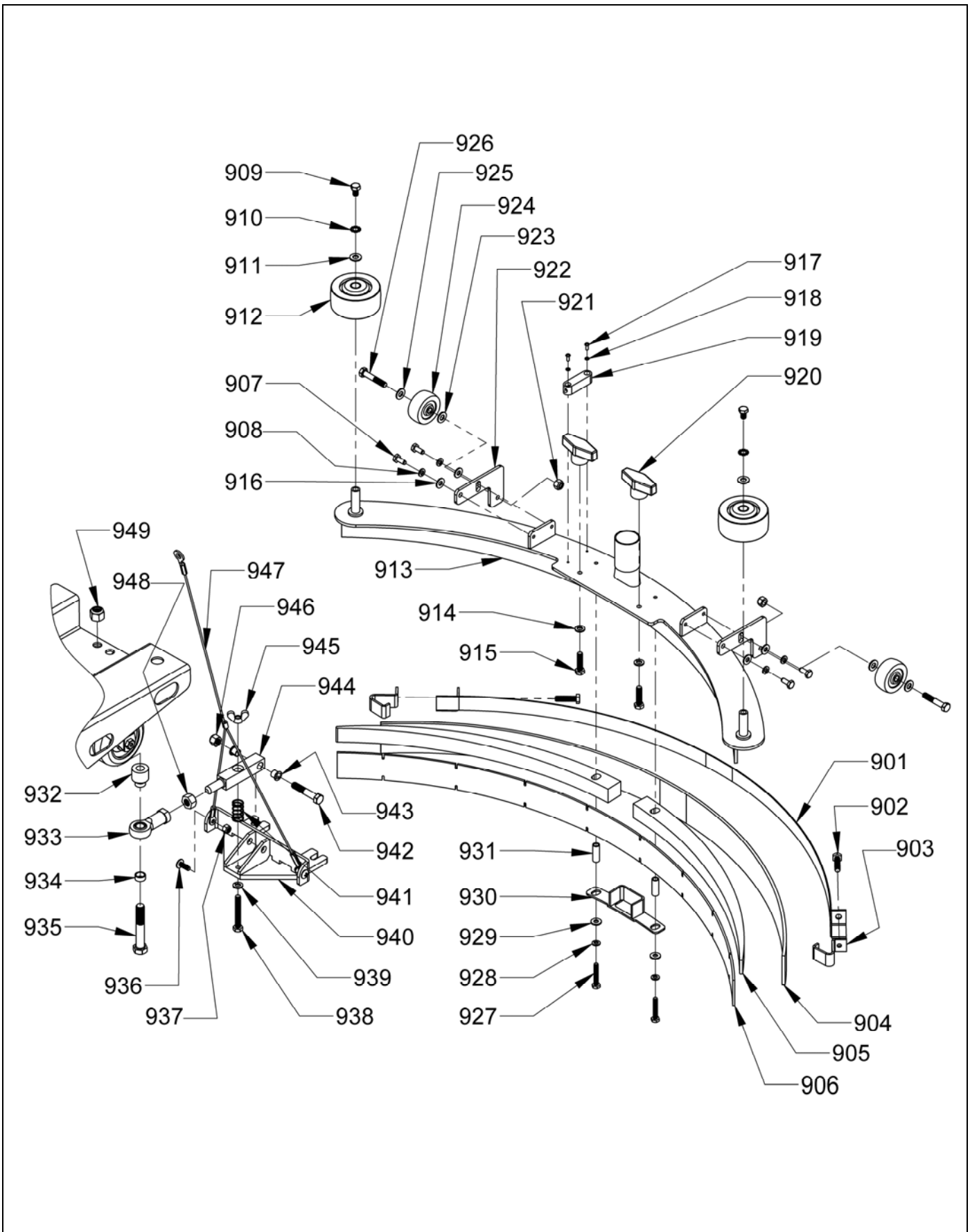


<u>ITEM</u>	<u>PART NO.</u>	<u>DESCRIPTION</u>	<u>QTY</u>
801	2397171	HANDLE, WHEEL DRIVE	1
802	2397453	COVER - WHEEL DRIVE HANDLE	1
803	9120205	#8 X 1/2 PAN HEAD PHILLIPS SHEET METAL SCREW [PACK OF 3]	2
804	2691931	DRIVE GEAR, HANDLE BAR - INCLUDES:	1
804A	9120225	#8-32 X 1/4 SET SCREW - KNURL POINT STEEL [PACK OF 10]	2
805	9122496	RETAINING RING	3
806	3393841	WASHER, AN 1/2 X .053-.073	1
807	6496091	SPRING TORSION .81 I.D. X .067 WIRE	1
808	6496081	BEARING PLAIN SLEEVE .5 X .75 X .75 LONG	1
809	2398061	HANDLE BAR 2016	1
810	7690691	NYLINER	2
811	9121980	7/16 I.D. X 1 O.D. X .075/.080 THICK SAE FLAT WASHER (3/8) [PK 2]	2
812	3392901	HANDLE GRIP	2
813	2397261	HANDLE GRIP BASE	2
814	2398071	TWIST GRIP BRACKET, LEFT SIDE	1
815	9120910	1/4-20 HEX NUT WITH STAR LOCK WASHER [PACK OF 10]	1
816	9121170	1/4-20 X 1/2 HEX BOLT [PACK OF 10]	1
817	2694131	POTENTIOMETER	1
818	2397231	TWIST GRIP BRACKET, RIGHT SIDE	1
819	2691941	DRIVEN GEAR, POTENTIOMETER - INCLUDES:	1
819A	9120225	#8-32 X 1/4 SET SCREW - KNURL POINT STEEL [PACK OF 10]	2
820	9123210	.891 I.D. X 1.5 O.D. X .125 THICK FLAT WASHER [PACK OF 1]	2
821	9120840	1/4-20 X 3/16 SET SCREW - KNURL POINT [PACK OF 2]	2
822	2397221	RETAINING RING, 7/8" SHAFT	2

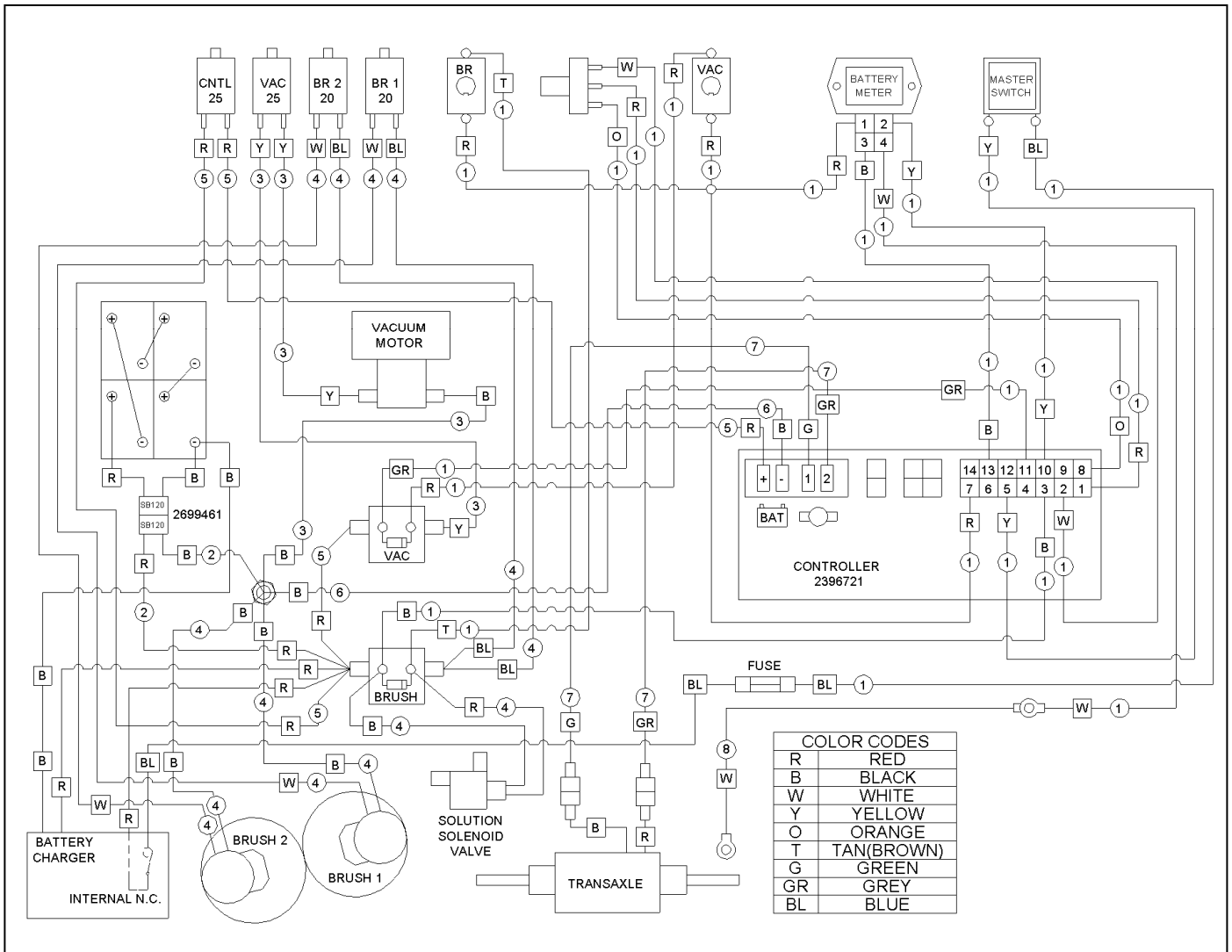
CURVED SQUEEGEE ASSEMBLY

<u>ITEM</u>	<u>PART NO.</u>	<u>DESCRIPTION</u>	<u>QTY</u>
	2492499	CURVED SQUEEGEE COMPLETE - INCLUDES:	1
901	2492551	REAR SECURING STRAP	1
902	9121720	5/16-18 X 1 1/4 FULL THREADED HEX HEAD BOLT [PACK OF 2]	2
903	2492561	HOOKED END	2
904	2695541	REAR BLADE	1
905	2492511	CENTER WEDGE	2
906	2492521	FRONT BLADE	1
907	9121210	1/4-20 X 5/8 HEX BOLT [PACK OF 10]	4
908	9120880	1/4 SPLIT LOCK WASHER [PACK OF 10]	4
909	9121560	5/16-18 X 1/2 HEX BOLT [PACK OF 5]	2
910	9121410	5/16 EXTERNAL STAR LOCK WASHER [PACK OF 10]	2
911	9121390	11/32 ID X 11/16 OD X .051/.080 THICK SAE FLAT WASHER (5/16) [PK 10]	2
912	2796301	BUMPER WHEEL	2
913	2492503	MAIN HOUSING	1
914	9121520	5/16 SPLIT LOCK WASHER [PACK OF 10]	2
915	9121720	5/16-18 X 1 1/4 FULL THREADED HEX HEAD BOLT [PACK OF 2]	2
916	9120930	9/32 I.D. X 5/8 O.D. X .051/.080 THICK SAE FLAT WASHER (1/4) [PACK OF	4
917	9120070	#6-32 X 3/8 ROUND HEAD PHILLIPS MACHINE SCREW [PACK OF 10]	2
918	9120030	#6 SPLIT LOCK WASHER [PACK OF 10]	2
919	2492581	SQUEEGEE LEVEL	1
920	3392971	T-KNOB SQUEEGEE	2
921	9121450	5/16-18 HEX NUT WITH NY-LOK INSERT [PACK OF 5]	2
922	2492571	DOLLY WHEEL MOUNTING BRACKET	2
923	9121390	11/32 I.D. X 11/16 O.D. X .051/.080 THICK SAE FLAT WASHER (5/16) [PK	2
924	2796321	ROLLER WHEEL	2
925	9121390	11/32 I.D. X 11/16 O.D. X .051/.080 THICK SAE FLAT WASHER (5/16) [PK	2
926	9121760	5/16-18 X 1 3/4 HEX BOLT [PACK OF 2]	2
927	9121280	1/4-20 X 1 1/2 HEX BOLT [PACK OF 5]	2
928	9120880	1/4 SPLIT LOCK WASHER [PACK OF 10]	2
929	9120930	9/32 I.D. X 5/8 O.D. X .051/.080 THICK SAE FLAT WASHER (1/4) [PACK OF	2
930	2492541	CENTER HOLD DOWN	1
931	2492591	CENTER HOLD DOWN SPACER	2
932	2398041	SPACER 1/2" I.D. X 1-3/16"	1
933	2391941	BALL JOINT	1
934	2391461	BUSHING, LIFT LEVER	1
935	9122657	1/2-13 X 3 LOCKING HEX BOLT [PACK OF 1]	1
936	9121010	1/4-20 X 3/4 TRUSS HEAD PHILLIPS MACHINE SCREW [PACK OF 5]	2
937	9120900	1/4-20 HEX NUT WITH NYLOK INSERT [PACK OF 10]	2
938	9121840	5/16-18 x 2 1/4 FULLY THREADED HEX HEAD BOLT [PACK OF 1]	1
939	9121520	5/16 SPLIT LOCK WASHER [PACK OF 10]	1
940	2397151	SQUEEGEE MOUNT BRACKET	1
941	3695581	HEIGHT ADJUSTING SPRING	1
942	9122340	3/8-16 X 2 HEX HEAD BOLT [PACK OF 2]	1
943	1391171	3/8 FLANGED NYLINER	2
944	2397161	SQUEEGEE PIVOT ROD	1
945	9121445	5/16-18 WING NUT WITH NYLOK [PACK OF 2]	1
946	9122140	3/8-16 HEX NUT WITH NYLOK INSERT [PACK OF 5]	1
947	2495301	Y SQUEEGEE LIFT CABLE 25" / 63.5cm	1
948	9122670	1/2-20 HEX JAM NUT [PACK OF 5]	1
949	9122507	1/2-13 HEX NUT WITH NYLOK INSERT [PACK OF 1]	1

CURVED SQUEEGEE ASSEMBLY



DB WIRING DIAGRAM 4 X 6VOLT 235AH BATTERIES



ITEM	PART NO.	DESCRIPTION	QTY
1	2396601	WIRING HARNESS, MAIN	1
2	2396611	WIRING HARNESS, BATTERY-MACHINE	1
3	2396621	WIRE HARNESS, VACUUM, CIRCUIT BREAKER, SOLENOID	1
4	2396631	WIRING HARNESS, BRUSH-CIRCUIT BREAKER	1
5	2396641	WIRE HARNESS, CONTROLLER-CIRCUIT BREAKER, POSITIVE	1
6	6496651	WIRE, CONTROLLER TO STANDOFF	1
7	2396661	WIRING HARNESS, CONTROLLER – DRIVE MOTOR	1
8	2396681	WIRE, CONTROL PANEL TO FRAME	1

ACCESSORIES

<u>PART NO.</u>	<u>DESCRIPTION</u>
-----------------	--------------------

PAD DRIVER & BRUSHES

2694491	13" PAD DRIVER
5990731	SPRING CLIP PAD HOLDER SET – INCLUDES:
9120506	#8 X 5/8 PAN HEAD SHEET METAL SCREW (3 REQ'D)
2694481	13" POLY BACK SCRUB GRIT BRUSH
2694511	13" NYLON BRUSH
2694521	13" NYLOGRIT BRUSH

BATTERY AND BATTERY ACCESSORIES

3394901	6V, 220 AH AGM Battery
2698441	Dual Pro Charger Fan Refurbishment Kit
2698421	Dual Pro Charger Ring Terminal Refurbishment Kit
9123220	Battery Terminal Boot
3394161	Off-board Battery Charger Adaptor

TOOL KIT

2392129	Wrangler 20 Wet Pick Up Tool Kit -Includes:
2291211	5" Aluminum Connector
2391231	Vacuum Hose
2391241	Hose Strap
5790471	Lower Wand - 1-1/2"
5790481	Upper Wand - 1-1/2"
5797011	Tool - Squeegee with Wheels, 15"
9997550	Velcro Hook (1.583')
9997560	Velcro Loop (.833')



NSS ® Enterprises, Inc.

3115 Frenchmens Road
Toledo, Ohio 43607
PHONE (419) 531-2121
FAX (419) 531-3761

mailus@nss.com
www.nss.com