

PARTS LIST
SIDEWINDER 30



SAVE THESE INSTRUCTIONS



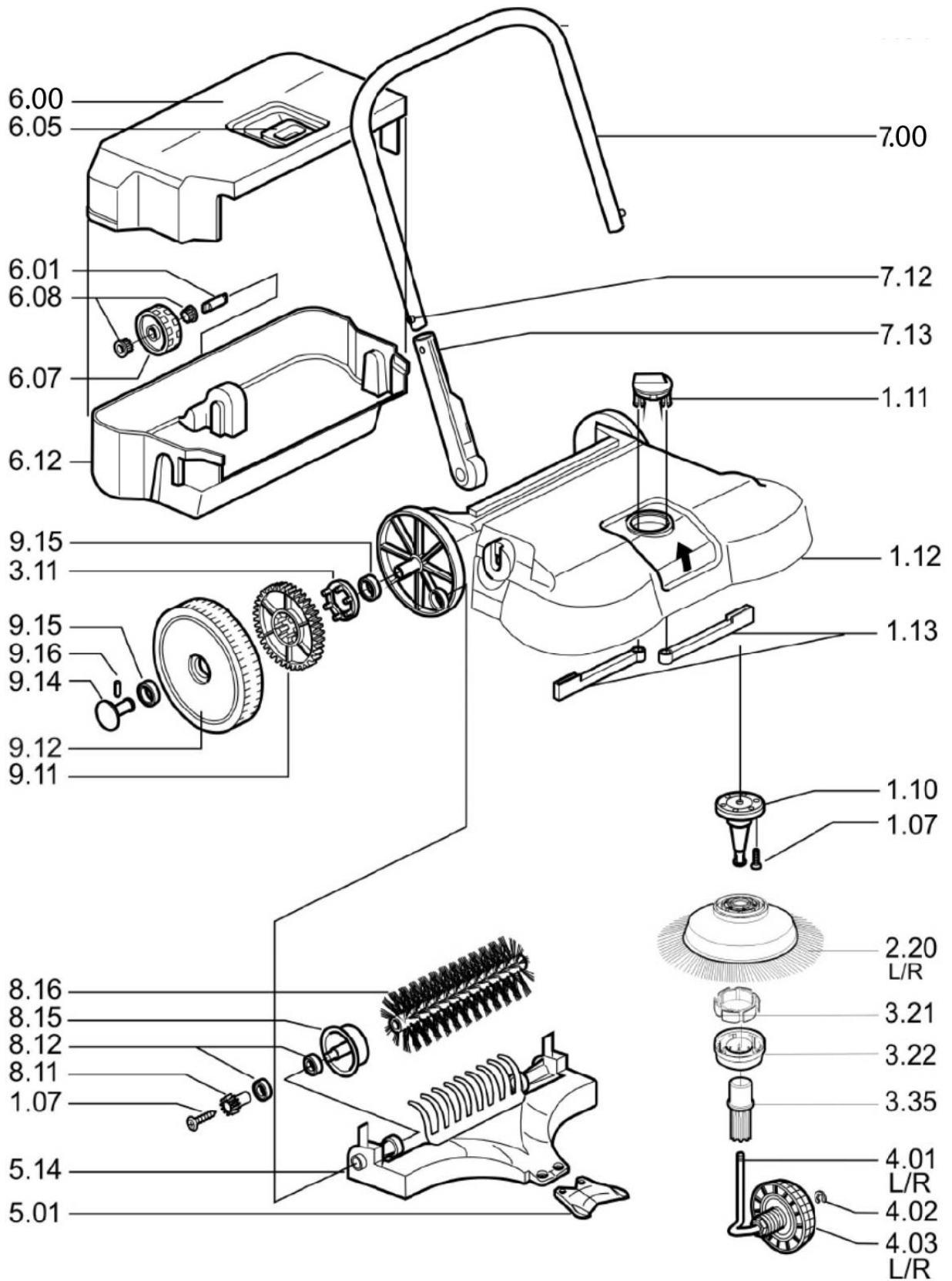
SIDEWINDER 30 ASSEMBLY

<u>ITEM</u>	<u>PART NO.</u>	<u>DESCRIPTION</u>	<u>QTY</u>
1.07	6396011	Screw	14
1.10	6396021	Pivot housing	2
1.11	6396031	Height adjustment dial	1
1.12	6396041	Housing	1
1.13	6396051	Adjustment slide	2
2.20L	6396071	Circular broom left	1
2.20R	6396081	Circular broom right	1
3.21	6396091	Clutch Element	2
3.22	6396101	Clutch housing LK	2
3.35	6396111	Tooth Sleeve	2
4.00L	6396131	Oblique wheel with axle left	1
4.00R	6396141	Oblique wheel with axle right	1
4.02	6396151	Washer 6mm	2
5.01	6396161	Sweeping lip	1
5.14	6396171	Sweeping plate with rake	1
6.00	6396181	Waste bin complete	1
6.01	6396191	Axle for waste bin wheel	1
6.07	6396201	Tread wheel	1
6.08	6396211	Bushing	2
6.05	6396221	Waste bin handle	1
7.00	6396231	Handle	1
7.12	6396241	Spring clip	2
7.13	6396251	Holder handle	2
8.11	6396261	Pinion	2
8.12	6396271	Ball bearing 6903zz	2
8.15	6396281	Brush holder	2
8.16	6396291	Brush roll 470mm clutch	1
3.11	6396301	Clutch ring	2
9.11	6396311	Wheel gear (79 teeth)	2
9.12	6396321	Wheel	2
9.14	6396331	Wheel clamp	2
9.15	6396341	Ball bearing	2
9.16	6396351	Pin	2
	6396361	Silicon spray	1



ALWAYS USE GENUINE NSS REPLACEMENT PARTS

SIDEWINDER 30 ASSEMBLY





NSS® Enterprises, Inc.

3115 Frenchmens Road

Toledo, Ohio 43607

PHONE (419) 531-2121

FAX (419) 531-3761

mailus@nss.com

www.nss.com