

# PARTS LIST

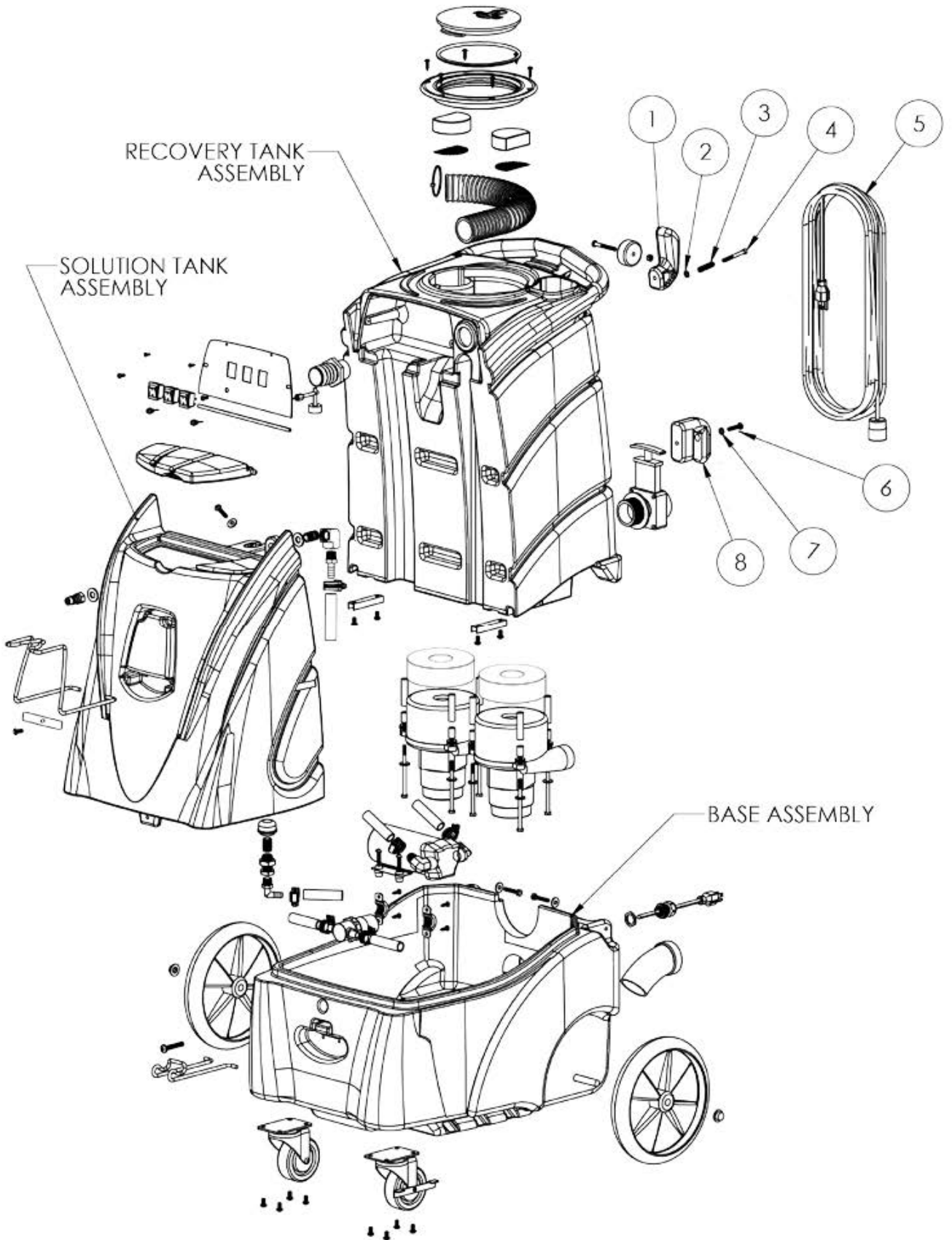
# RALLY 220



**SAVE THESE INSTRUCTIONS**



# OVERVIEW



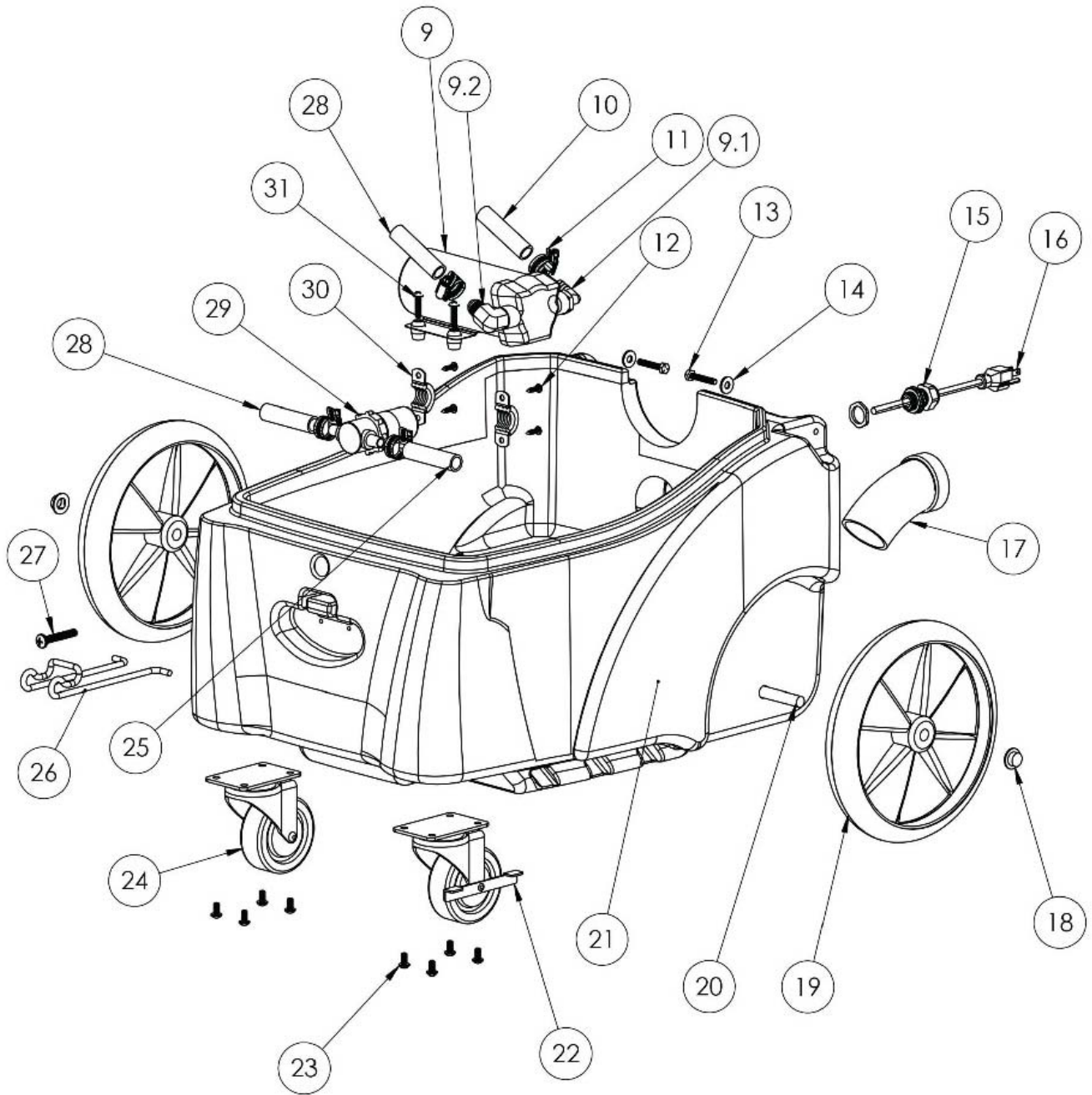
## OVERVIEW

| <u>ITEM</u> | <u>PART NO.</u> | <u>DESCRIPTION</u>                                     | <u>QTY</u> |
|-------------|-----------------|--|------------|
| 1           | 4099011         | CORD WRAP, (SET FOR ONE CORD, FASTENERS NOT INCLUDED)  | 1          |
| 2           | 9120935         | 1/4 WASHER, .268 ID x .5 OD x .060 THK (PK-10)         | 1          |
| 3           | 4098551         | SPRING, CORD WRAP, UPPER                               | 1          |
| 4           | 9121150         | 1/4-20 x 2-1/4 ROUND HEAD PHILIPS MACHINE SCREW (PK-2) | 1          |
| 5           | 4099341         | CORD, EXTENTION, 12-3 SJTW, 25 FEET LONG, 120 VOLT     | 1          |
|             | 4898721         | CORD, SHUKO W/TWIST LOCK, 50 FEET LONG, 240 VOLT       | 1          |
| 6           | 9121141         | 1/4-20 X 1 ROUND HEAD PHILIPS MACHINE SCREW (PK-5)     | 1          |
| 7           | 9120935         | 1/4 WASHER, .268 ID x .5 OD x .060 THK (PK-10)         | 1          |
| 8           | 4099011         | CORD WRAP, (SET FOR ONE CORD, FASTENERS NOT INCLUDED)  | 1          |
| N/S         | 4093351         | 1.5" X 25' VACUUM HOSE                                 | 1          |
| N/S         | 4093331         | 25' HIGH PRESSURE LINE COMP.                           | 1          |



**ALWAYS USE GENUINE NSS REPLACEMENT PARTS**

# BASE ASSEMBLY



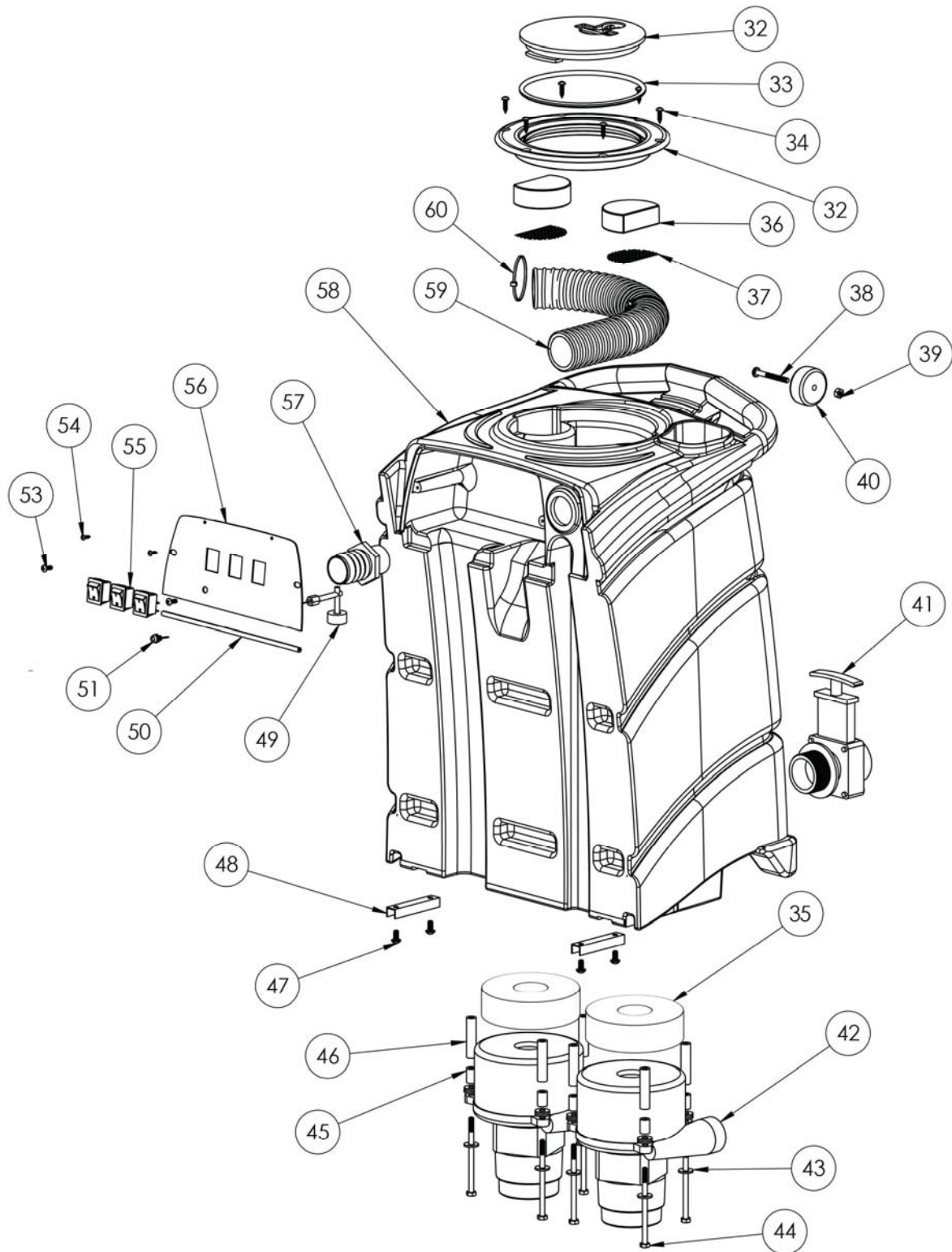
## BASE ASSEMBLY

| <u>ITEM</u> | <u>PART NO.</u> | <u>DESCRIPTION</u>                                     | <u>QTY</u> |
|-------------|-----------------|--|------------|
| 9           | 4099461         | PUMP, 220 PSI, EXTRACTOR, 120 VOLT                     | 1          |
|             | 4098151         | PUMP, 220 PSI, EXTRACTOR, 240 VOLT                     | 1          |
| 9.1         | 4091101         | FITTING, 90 DEGREE, 3/8 MNPT X 3/8 HOSE BARB, NYLON    | 1          |
| 9.2         | 2691901         | FITTING, 3/8 MNPT X 1/2 HOSE BARB, 90 DEGREE, NYLON    | 1          |
| 10          | 4098881         | HOSE, 3/8 RED, 300PSI, 57" LONG                        | 1          |
| 11          | 2392141         | HOSE CLAMP 11/16 to 1 1/4 DIA                          | 4          |
| 12          | 9121212         | #12 x 1/2 PHILIPS HEAD SHEET METAL SCREW (PK-6)        | 4          |
| 13          | 9121780         | 5/16 -18 x 1-1/2 HEX BOLT (PK-2)                       | 2          |
| 14          | 9121390         | 11/32 ID X 11/16 OD FLAT WASHER (PK-10)                | 2          |
| 15          | 4099321         | STRAIN RELIEF, HEYCO-PG16, W/NUT                       | 1          |
| 16          | 4099331         | CORD, PIG TAIL, 12-3 SJTW, 120 VOLT                    | 1          |
|             | 4892711         | CORD, PIG TAIL, TWIST LOCK, 17" LONG, 240 VOLT         | 1          |
| 17          | 4093041         | SPOUT, DRAIN GATE                                      | 1          |
| 18          | 4092151         | NUT, PUSH-ON, HUB CAP, 1/2 AXLE                        | 2          |
| 19          | 4099811         | WHEEL, 10" DIA, EXTRACTOR                              | 2          |
| 20          | 4099551         | AXLE, 1/2" DIA X 20 LONG, 10' WHEEL, EXTRACTOR         | 1          |
| 21          | 4099021         | BASE, EXTRACTOR, 12GAL, BLACK                          | 1          |
| 22          | 4099831         | CASTER, 3.5"DIA WHEEL, W/BRAKE, EXTRACTOR              | 1          |
| 23          | 9121045         | 1/4-20 x 1/2 ROUND HEAD PHILIPS MACHINE SCREW (PK 10)  | 8          |
| 24          | 4099821         | CASTER, 3.5" DIA WHEEL, EXTRACTOR                      | 1          |
| 25          | 4098811         | HOSE, 1/2 CLEAR, REINFORCED, 50" LONG                  | 1          |
| 26          | 4099611         | HOOK, HOSE, LOWER                                      | 1          |
| 27          | 9121810         | 5/16-18 X 2 ROUND HEAD MACHINE SCREW (PK-2)            | 1          |
| 28          | 4098871         | HOSE, 1/2CLEAR, REINFORCD, 13-3/8" LONG                | 1          |
| 29          | 4092511         | FILTER, INLINE, 1/2 HOSE BARB - 1/2 HOSE BARB          | 1          |
|             | 3393611         | STRAINER ELEMENT                                       | 1          |
|             | 3394559         | KIT, INCLUDES BOWL AND GASKET                          | 1          |
| 30          | 4098651         | CLAMP, 3/8" CUSHIONED                                  | 2          |
| 31          | 9121146         | 1/4-20 X 1-1/4 ROUND HEAD PHILIPS MACHINE SCREW (PK-2) | 1          |



**ALWAYS USE GENUINE NSS REPLACEMENT PARTS**

# RECOVERY TANK ASSEMBLY



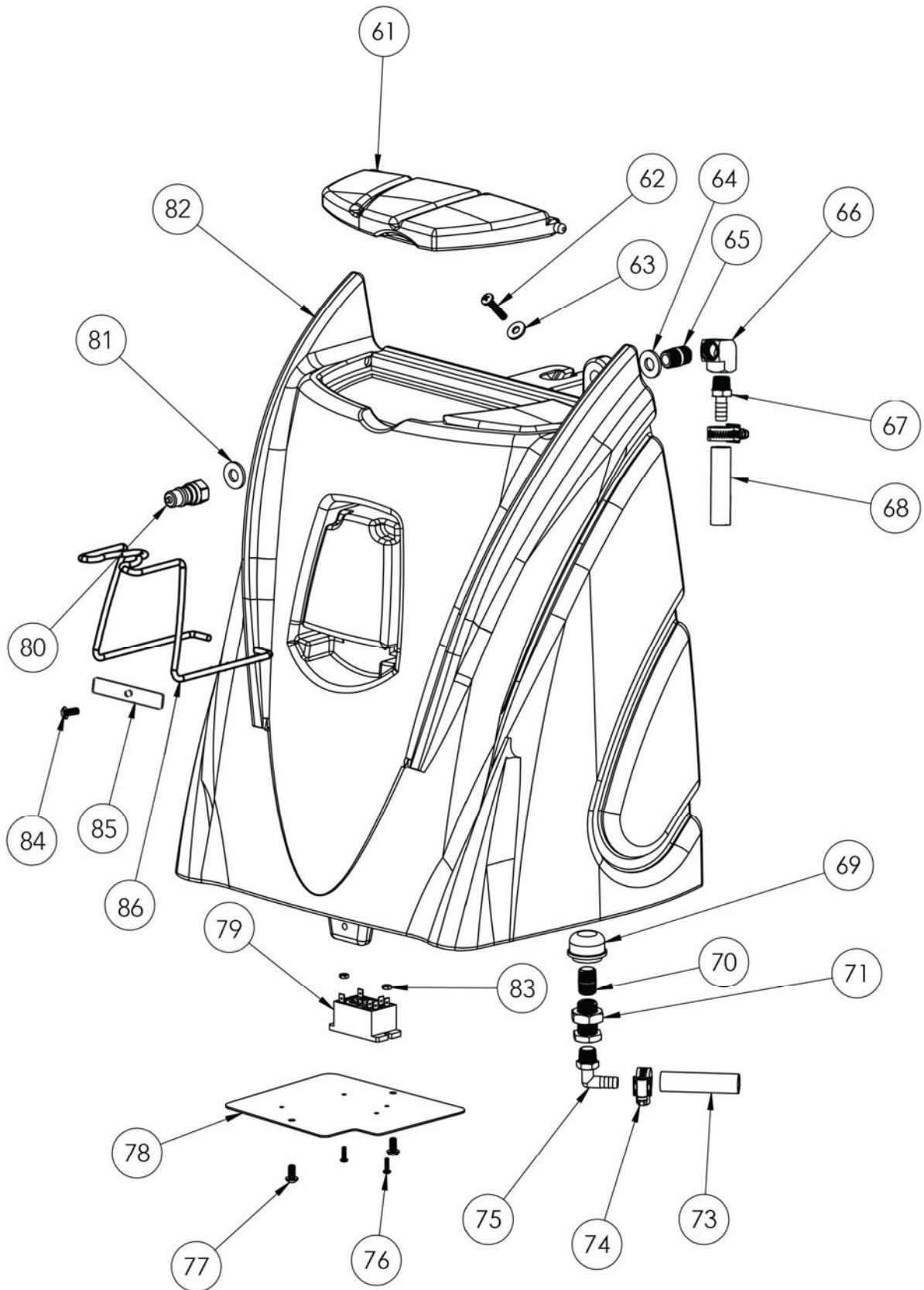
## **RECOVERY TANK ASSEMBLY**

| <b>ITEM</b> | <b>PART NO.</b> | <b>DESCRIPTION</b>                                     | <b>QTY</b> |
|-------------|-----------------|--|------------|
| 32          | 4099791         | LID, RECOVERY, 6" DIA, TWIST LOCK HANDLE, BLACK        | 1          |
| 33          | 4099801         | O-RING, LID,RECOVERY, 6" DIA, EXTRACTOR                | 1          |
| 34          | 9121212         | #12 x 1/2 PHILIPS HEAD SHEET METAL SCREW (PK-6)        | 6          |
| 35          | 4099721         | GASKET-SPACER, THICK, 2 STAGE VAC MOTOR                | 1          |
| 36          | 4099711         | FILTER, VACUUM MOTOR INTAKE, EXTRACTOR                 | 2          |
| 37          | 4099661         | SCREEN, VACUUM MOTOR INTAKE, EXTRACTOR                 | 2          |
| 38          | 9121150         | 1/4-20 x 2-1/4 ROUND HEAD PHILIPS MACHINE SCREW (PK-2) | 1          |
| 39          | 9120920         | 1/4-20 HEX NUT, STAINLESS STEEL (PK-10)                | 1          |
| 40          | 4099841         | WHEEL, 2" DIA, EXTRACTOR HANDLE                        | 1          |
| 41          | 4091231         | VALVE, GATE, DUMP, 1-1/2" DIA                          | 1          |
| 42          | 4099401         | VACUUM MOTOR, 2 STAGE, 120 VOLT, 116392-00             | 2          |
|             | 4098181         | VACUUM MOTOR, 2 STAGE, 240 VOLT                        | 2          |
| 43          | 9120930         | 9/32 ID X 5/8 OD FLAT WASHER (1/4) (PK-10)             | 6          |
| 44          | 9121360         | 1/4-20 x 4 HEX HEAD BOLT (PK-2)                        | 6          |
| 45          | 4098541         | SPACER, 1/2 OD X 1/4 ID X 3/4 LONG, NYLON              | 6          |
| 46          | 4098561         | SPACER, 1/2 OD X 1/4 ID X 2-1/8 LONG, NYLON            | 6          |
| 47          | 9121045         | 1/4-20 x 1/2 ROUND HEAD MACHINE SCREW (PK-10)          | 4          |
| 48          | 4099621         | BRACKET, RECOVERY TO SOLUTION                          | 2          |
| 49          | 4099311         | FLOAT SWITCH, HORIZONTAL MOUNT                         | 1          |
| 50          | 4099851         | TRIM, CONTROL PANEL, EXTRACTOR                         | 1          |
| 51          | 4099351         | LIGHT, LED, RED, 120 V, RECOVERY TANK FULL             | 1          |
|             | 4098221         | LIGHT, LED, RED, 220 V, RECOVERY TANK FULL             | 1          |
| 53          | 9120715         | 10-32 x 1/2 PAN HEAD PHILIPS (PK-5)                    | 2          |
| 54          | 9120140         | #6 X 5/8 PAN HEAD SHEET METAL SCREW (PK-3)             | 2          |
| 55          | 4099291         | ROCKER SWITCH, SPLASH PROOF                            | 3          |
| 56          | 4099561         | PANEL, 3 SWITCH, RALLY 220                             | 1          |
| 57          | 4091241         | HOSE BARB, 1.5", VACUUM                                | 1          |
| 58          | 4099031         | RECOVERY TANK, 12 GAL, BLACK                           | 1          |
| 59          | 4098751         | HOSE, DIFFUSING, RECOVERY TANK                         | 1          |
| 60          | 9123000         | 11" LONG WIRE TIE (PK-5)                               | 3          |
| N/S         | 4093351         | 1.5" X 25' VACUUM HOSE                                 | 1          |
| N/S         | 4093331         | 25' HIGH PRESSURE LINE COMP.                           | 1          |



**ALWAYS USE GENUINE NSS REPLACEMENT PARTS**

# SOLUTION TANK ASSEMBLY





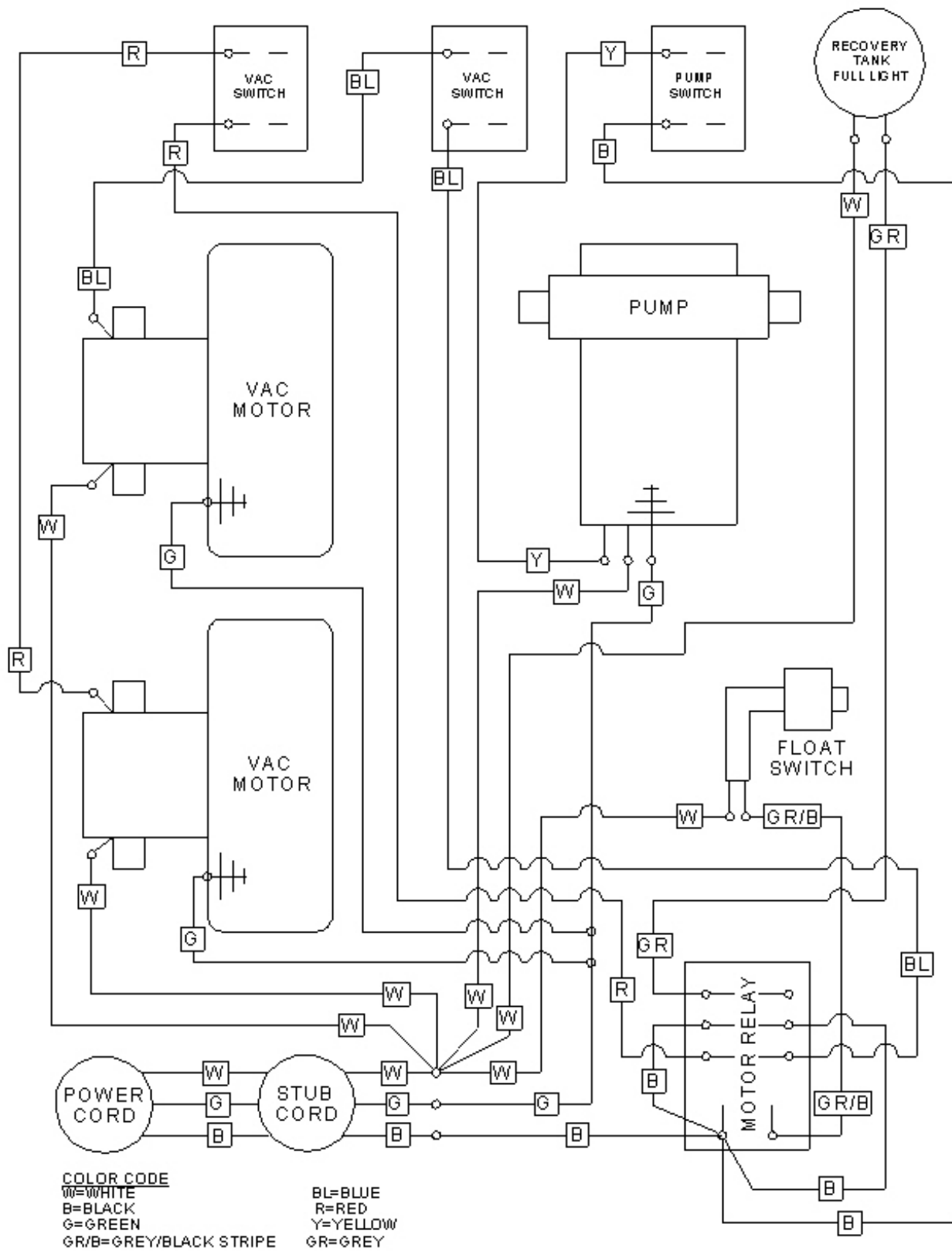
## SOLUTION TANK ASSEMBLY

| <u>ITEM</u> | <u>PART NO.</u> | <u>DESCRIPTION</u>                                     | <u>QTY</u> |
|-------------|-----------------|--|------------|
| 61          | 4099041         | LID, SOLUTION TANK, 12GAL, BLACK                       | 1          |
| 62          | 9121146         | 1/4-20 X 1-1/4 ROUND HEAD PHILIPS MACHINE SCREW (PK-2) | 1          |
| 63          | 9121390         | 11/32 ID 11/16 OD FLAT WASHER (5/16) (PK-10)           | 1          |
| 64          | 9122450         | 1/2 SAE FLAT WASHER STAINLESS STEEL (PK-5)             | 1          |
| 65          | 4098991         | FITTING, PIPE NIPPLE, 1/4 MNPT X 1-1/2 LONG            | 1          |
| 66          | 3891141         | FITTING, BRASS ELBOW, 90 DEGREE X 1/4" FNPT            | 1          |
| 67          | 3890661         | FITTING, 1/4 MPT X 3/8 HOSE BARB, STRAIGHT, BRASS      | 1          |
| 68          | 4098881         | HOSE, 3/8 RED, 300PSI, 57" LONG                        | 1          |
| 69          | 4099861         | FILTER, 1/4" PIPE, ACORN, INSIDE SOLUTION TANK         | 1          |
| 70          | 4096041         | FITTING, CLOSE NIPPLE, 1/4 MNPT                        | 1          |
| 71          | 4098981         | FITTING, BULKHEAD, 1/4 NPT                             | 1          |
| 73          | 4098701         | HOSE, 1/2 CLEAR, WIRE REINFORCED                       | 1          |
| 74          | 2392141         | HOSE CLAMP 11/16 to 1 1/4 DIA                          | 1          |
| 75          | 4099001         | FITTING, 1/4 MNPT X 1/2 HOSE BARB, 90 DEGREE, BRASS    | 1          |
| 76          | 9120075         | 6-32 x 5/8 ROUND HEAD PHILIPS MACHINE SCREW (PK-10)    | 2          |
| 77          | 9121045         | 1/4-20 x 1/2 ROUND HEAD PHILIPS MACHINE SCREW (PK-10)  | 2          |
| 78          | 4099651         | COVER, ELECTRICAL COMPARTMENT                          | 1          |
| 79          | 4099301         | RELAY, VACUUM MOTOR, 12 GAL EXTRACTOR, 120 VOLT        | 1          |
|             | 4098251         | RELAY, VACUUM MOTOR, 12 GAL EXTRACTOR, 240 VOLT        | 1          |
| 80          | 3590751         | FITTING, 1/4" FNPT X 1/4 MALE QUICK DISCONNECT         | 1          |
| 81          | 9122450         | 1/2 SAE FLAT WASHER STAINLESS STEEL (PK-5)             | 1          |
| 82          | 4099051         | SOLUTION TANK, 12 GAL, GREEN                           | 1          |
| 83          | 9120020         | 6-32 HEX NUT W/ STAR LOCK WASHER (PK-10)               | 2          |
| 84          | 9121045         | 1/4-20 X 1/2 ROUND HEAD PHILIPS MACHINE SCREW (PK-10)  | 1          |
| 85          | 4099641         | PLATE, KEEPER, HOSE HOOK, UPPER                        | 1          |
| 86          | 4099601         | HOOK, HOSE, UPPER                                      | 1          |



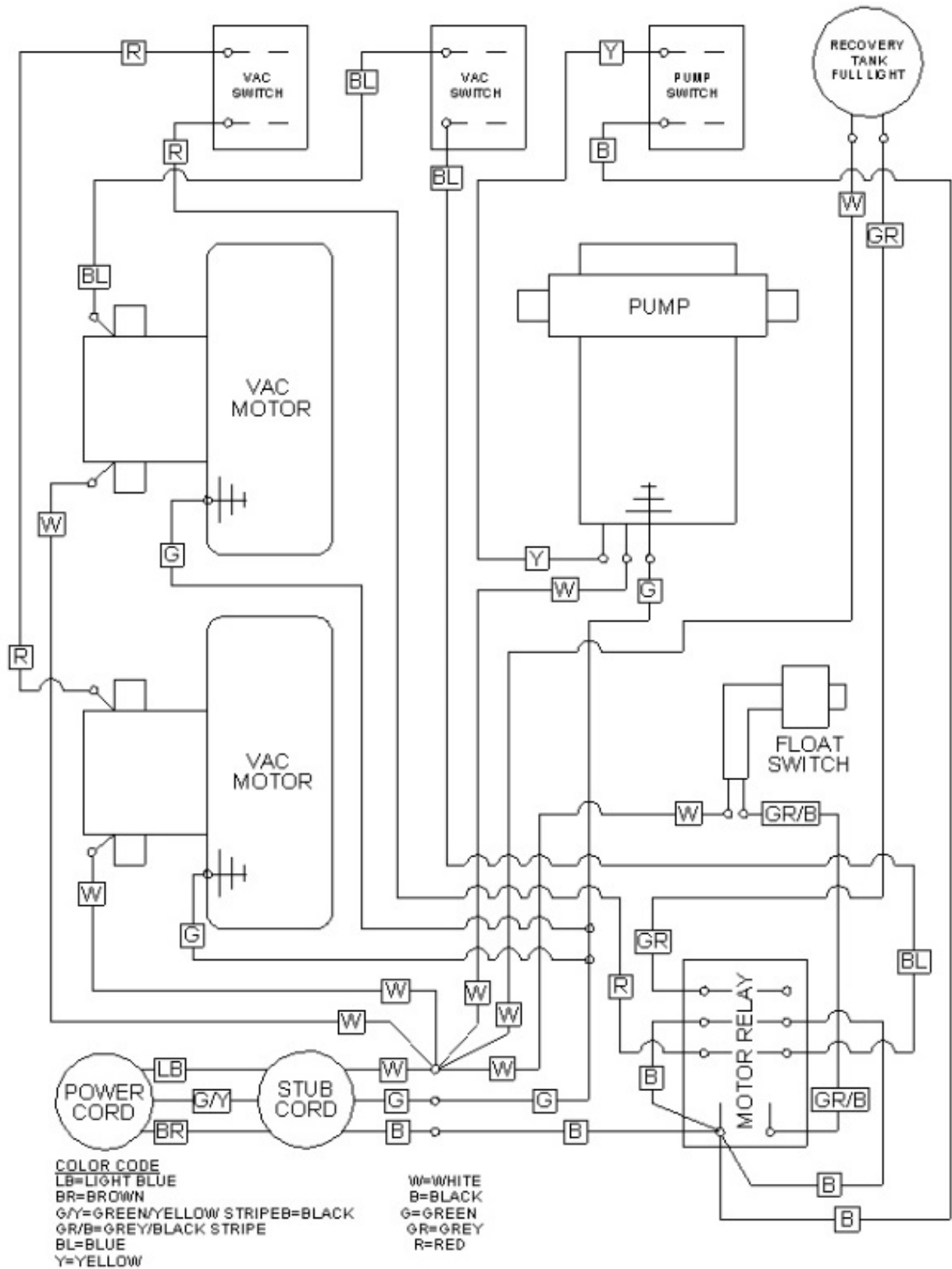
**ALWAYS USE GENUINE NSS REPLACEMENT PARTS**

# 120 VOLT WIRE DIAGRAM



**ALWAYS USE GENUINE NSS REPLACEMENT PARTS**

# 240 VOLT WIRING DIAGRAM



**ALWAYS USE GENUINE NSS REPLACEMENT PARTS**

## ACCESSORIES

|         |   |
|---------|---|
| 4090509 | TOOLKIT, EXTRACTOR, UPHOLSTERY, STAIR, HYDROGLIDE   |
| 4096841 | 4" WIDE UPHOLSTERY TOOL 500PSI                      |
| 4093241 | WAND, 2JET, EXTRACTOR, HYDROGLIDE                   |
| 4097301 | 30" X 9 3/4 STAIR TOOL                              |
| 4098069 | TOOLKIT, EXTRACTOR, UPHOLSTERY, STAIR, 2JET SS WAND |
| 4093251 | WAND, 2 JET, STAINLESS STEEL                        |
| 4096841 | 4" WIDE UPHOLSTERY TOOL 500PSI                      |
| 4097301 | 30" X 9 3/4 STAIR TOOL                              |
| 4098079 | TOOLKIT, EXTRACTOR, DETAL, STAIR, CREVIC            |
| 4096851 | 3.5" DETAIL TOOL 500 PSI                            |
| 4096871 | 18" INTERNAL SPRAY CREVICE TOOL                     |
| 4097301 | 30" X 9 3/4 STAIR TOOL                              |
| 4093371 | WAND, 2JET, EXTRACTOR, HYDROGLIDE                   |
| 4093251 | WAND, 2 JET, STAINLESS STEEL                        |
| 4097951 | BRASS TRIGGER VALVE                                 |
| 4096841 | 4" WIDE UPHOLSTERY TOOL 500PSI                      |
| 4097301 | 30" X 9 3/4 STAIR TOOL                              |
| 4098491 | TOOL, DETAIL, 4" CLEAR HEAD                         |
| 4096851 | 3.5" DETAIL TOOL 500 PSI                            |
| 4096871 | 18" INTERNAL SPRAY CREVICE TOOL                     |
| 4090321 | 1.5" X 50' VACUUM HOSE                              |
| 4090311 | 50' HIGH PRESSURE LINE COMP.                        |



### **NSS® Enterprises, Inc.**

3115 Frenchmens Road, Toledo, Ohio 43607  
PHONE (419) 531-2121 FAX (419) 531-3761  
[mailus@nss.com](mailto:mailus@nss.com) [www.nss.com](http://www.nss.com)