

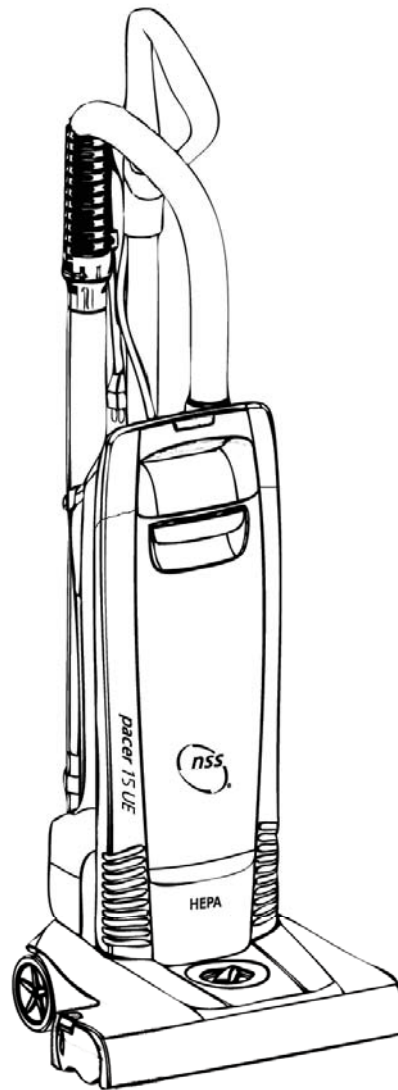
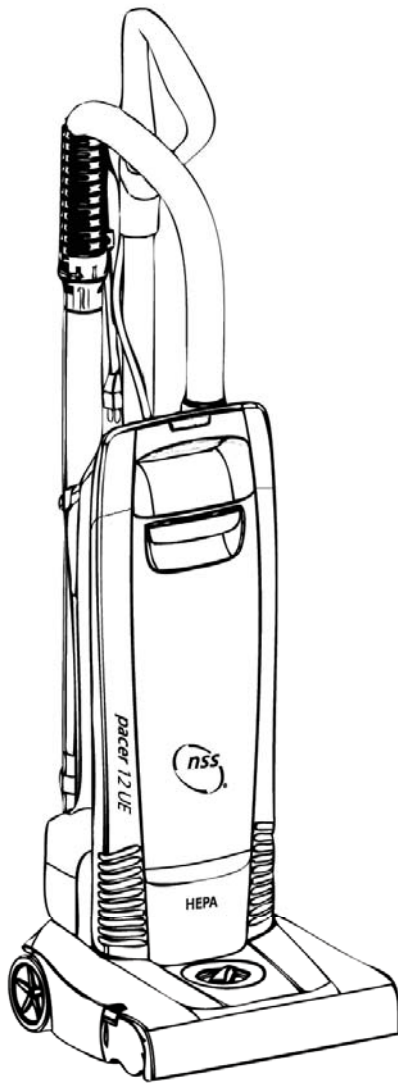


NSS Enterprises, Inc.

PACER 12UE, 15UE

UPRIGHT VACUUM CLEANERS

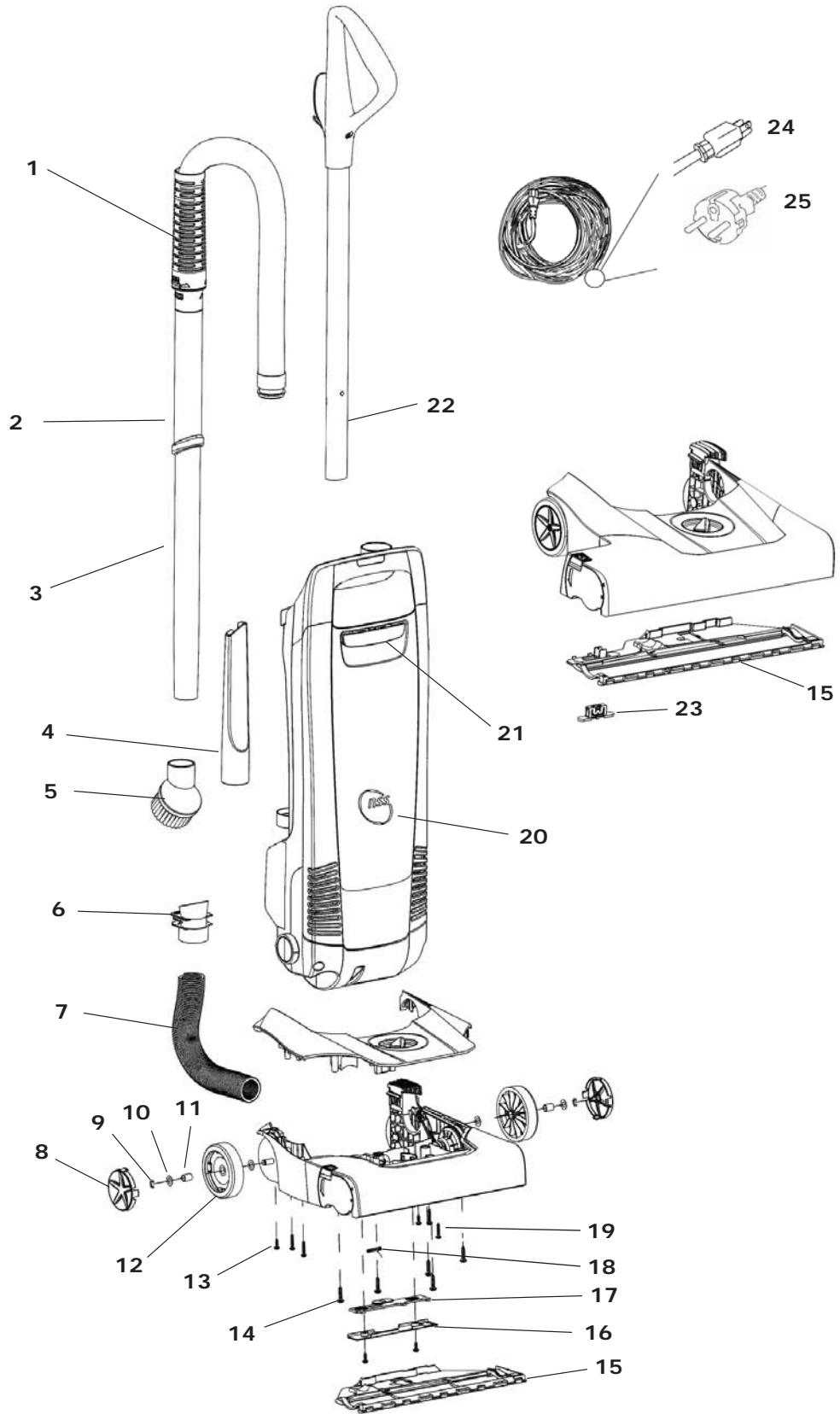
ILLUSTRATED PARTS LIST



MAIN EXTERNAL COMPONENTS

ITEM	PART No	DESCRIPTION	QTY
1	9690181	LONG HOSE ASSEMBLY	1
	9690061	ASSEMBLY, WAND & GRIP (INCLUDES ITEMS 2 & 3)	1
2	9691851	WAND GRIP	1
3	9690581	WAND	1
4	9690731	CREVIS TOOL	1
5	9690101	ROUND BRUSH	1
6	9690601	CONNECTOR, LOWER HOSE	1
7	9691541	LOWER HOSE	1
8	9691021	WHEEL COVER	2
9	9691581	E-RING	2
10	9691571	WASHER	4
11	9693111	BUSHING, WHEEL	2
12	9697029	KIT, REAR WHEEL (INCLUDES 2 WHEELS, 2 EA OF ITEMS 9, 11, 4 OF TEM 10)	1
13	9691521	SCREW, 4X12mm PK OF 14	4
14	9691501	SCREW, 5X20mm PK OF 16	5
15	9690941	COVER, BOTTOM - 12 INCH	1
15	9692991	COVER, BOTTOM - 15 INCH	1
16	9691081	COVER, BOTTOM LOCK	1
17	9691071	LOCK, BOTTOM COVER	1
18	9693441	SPRING, BUTTON	1
19	9691511	SCREW, 4X20mm PK OF 7	5
20	9690031	FRONT DOOR ASSEMBLY - PACER 12UE	1
20	9693451	FRONT DOOR ASSEMBLY - PACER 15UE	
21	9690541	FRONT DOOR LOCK (INCLUDED IN 9690031 AND 9693251)	1
22	9697471	HANDLE ASSEMBLY	1
23	9692961	LOCK, SIDE BOTTOM COVER - 15 INCH	1
24	9697271	CORD, 120V UL NORTH AMERICA	1
24	9690251	CORD, 25', UL, NORTH AMERICA (25' CORDED MODEL ONLY)	1
25	9693231	CORD, 230V CE SCHUKO	1

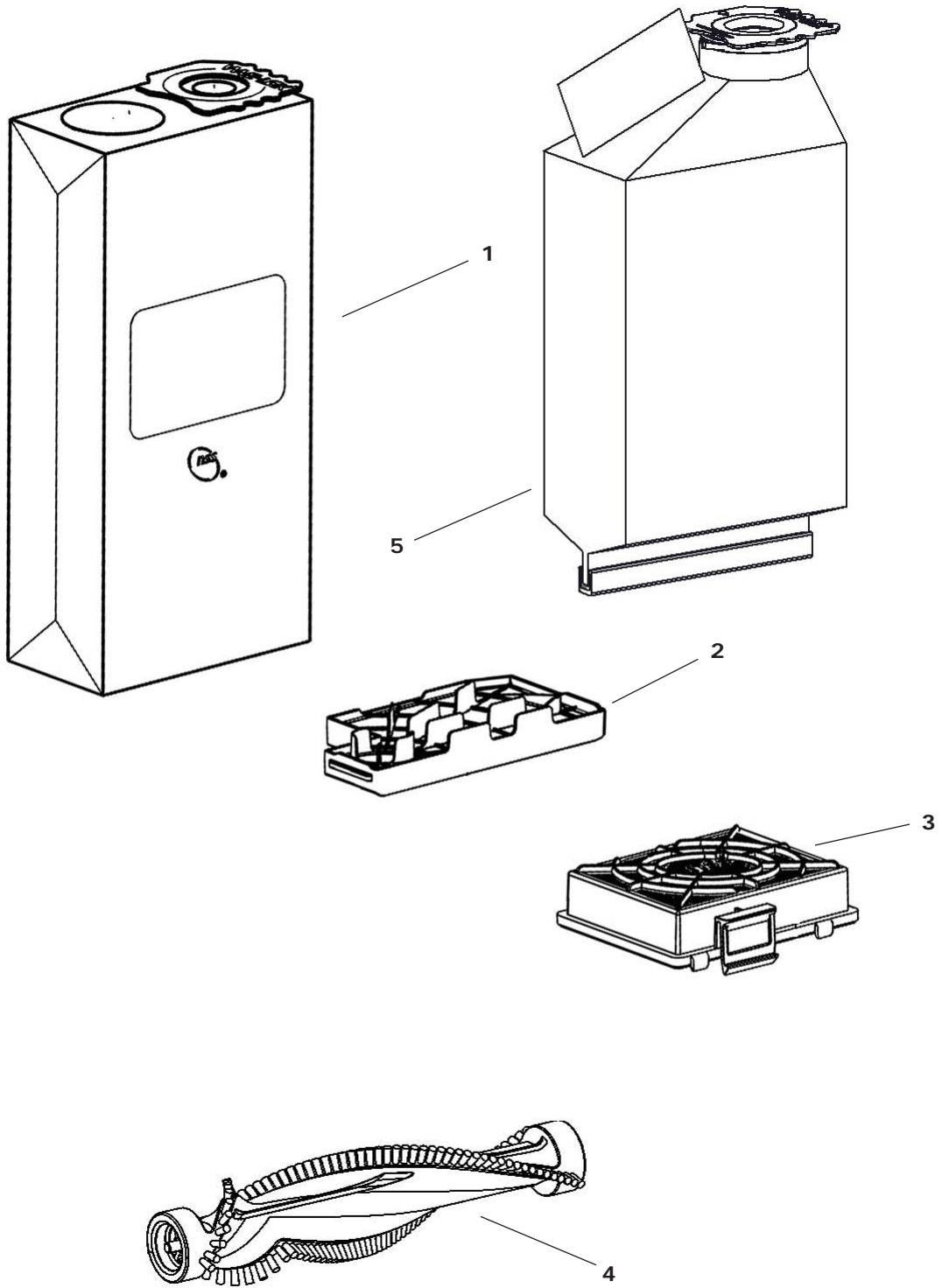
MAIN EXTERNAL COMPONENTS



FILTERS AND BRUSH ROLL

ITEM	PART No	DESCRIPTION	QTY
	9694801	100 HOUR COMPLETE FILTER KIT (INCLUDES ITEMS 1, 2, & 3)	1
1	9691911	FILTER BAG, PACK OF 10	1
2	9690741	MOTOR FILTER	1
3	9690051	HEPA FILTER	1
4	9690261	BRUSH ROLL, 12 INCH	1
4	9693171	BRUSH ROLL, 15 INCH	1
5	9694871	FILTER BAG, CLOTH REUSABLE QTY 1 (OPTIONAL ALTERNATE TO ITEM 1)	1

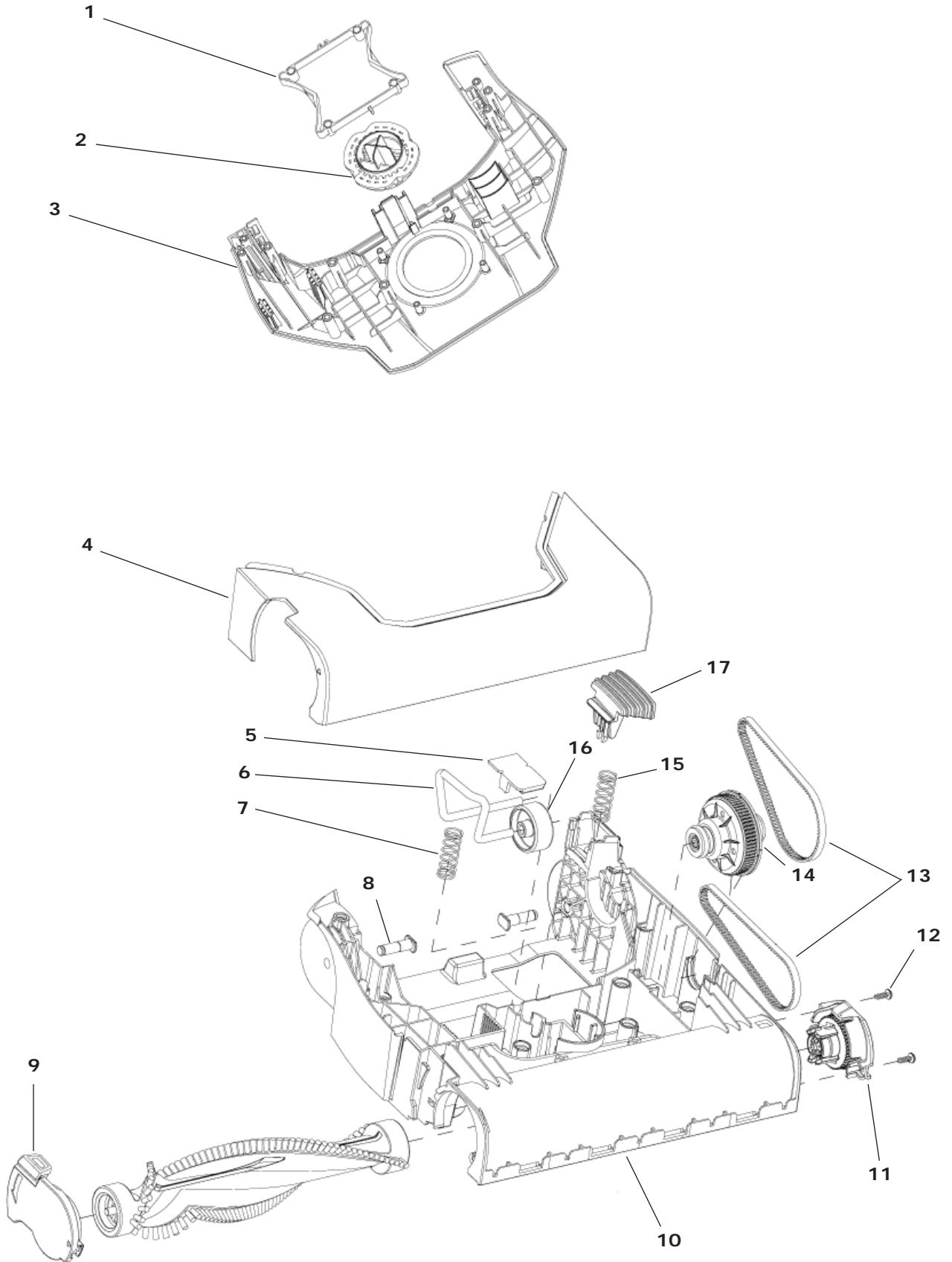
FILTERS AND BRUSH ROLL



BASE ASSEMBLY

ITEM	PART No	DESCRIPTION	QTY
1	9691051	SPRING SHELF	1
2	9691031	KNOB, BRUSH HEIGHT	1
3	9690921	TOP COVER	1
4	9691921	BUMPER, 12 INCH	1
4	9692981	BUMPER, 15 INCH	1
5	9691061	CAP, FRONT WHEEL	1
6	9691481	AXIS, FRONT WHEEL ADJUST	1
7	9691491	SPRING	1
8	9691461	AXLE, REAR WHEEL	2
9	9690271	REMOVAL CAP ASSEMBLY	1
10	9693731	BASE HOUSING, 12 INCH	1
10	9693741	BASE HOUSING, 15 INCH	
11	9690241	GEAR CAP ASSEMBLY	1
12	9691521	SCREW, 4 X 12 PK OF 14	2
13	9697179	BELT KIT (INCLUDES 2 BELTS PLUS REPAIR INSTRUCTION)	2
14	9697099	CLUTCH ASSEMBLY KIT	1
15	9691491	SPRING	1
16	9691041	WHEEL, FRONT	1
17	9697519	KIT, FOOT PEDAL (INCLUDES ITEM 15)	1

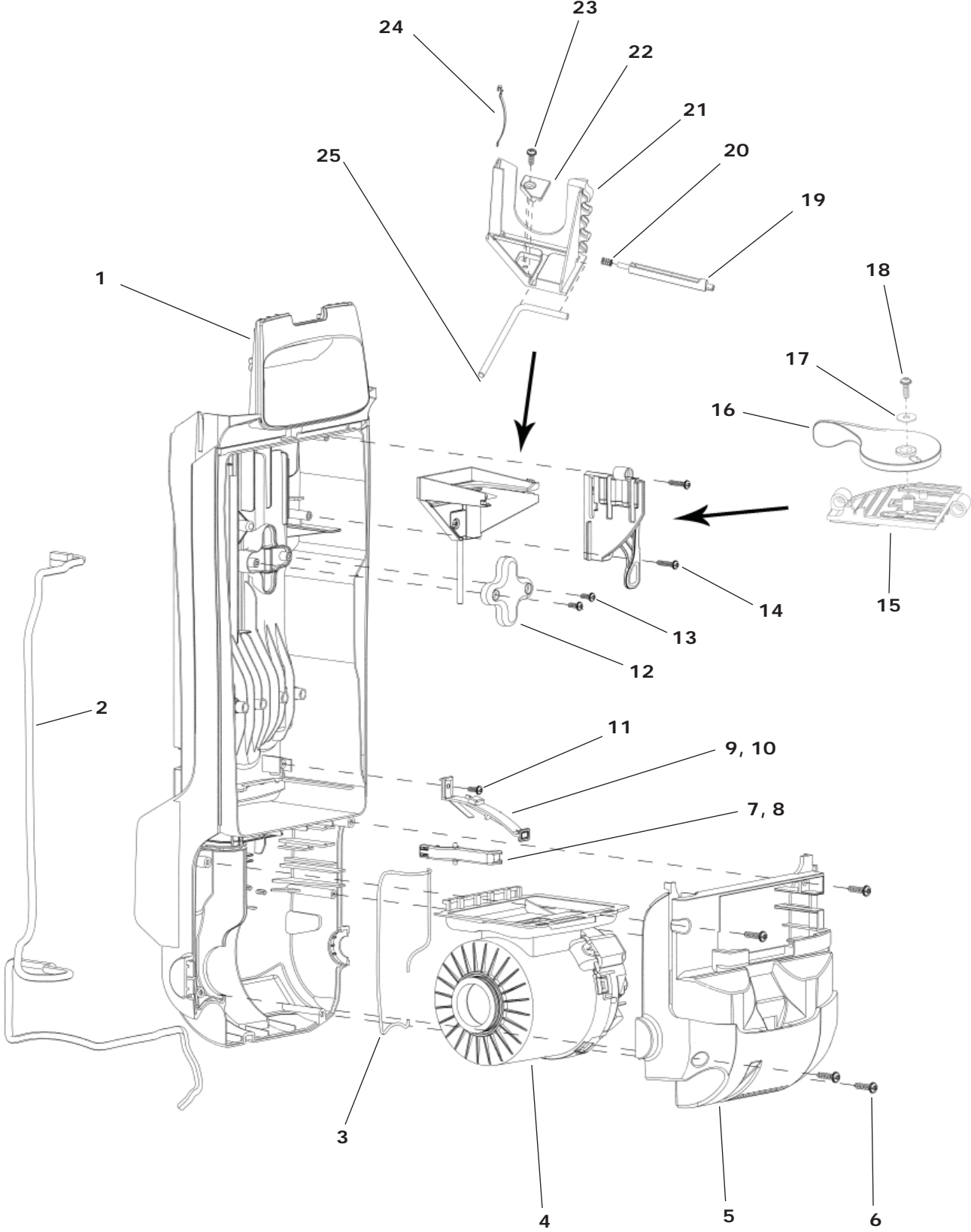
BASE ASSEMBLY



BODY ASSEMBLY

ITEM	PART No	DESCRIPTION	QTY
1	9690501	HOUSING, BODY (UL MODELS)	1
1	9697231	HOUSING, BODY (CE MODELS)	1
2	9692621	CABLE, MOTOR	1
3	9691901	SEAL, BODY	1
4	9697039	MOTOR AND HOUSING ASSY KIT, 120VAC	1
4	9697059	MOTOR AND HOUSING ASSY KIT, 230VAC	1
5	9690521	COVER, MOTOR HOUSING (UL MODELS)	1
5	9697241	COVER, MOTOR HOUSING (CE MODELS)	1
6	9691501	SCREW, 5 X 20, PK OF 16	4
7	9690711	LEVER, HEPA LOCK	1
8	9691241	SPRING, HEPA LOCK	1
9	9690751	LEVER, FILTER LOCK	1
10	9691251	LOCK SHEET	1
11	9691521	SCREW, 4 X 12, PK OF 14	2
12	9690891	ROD CAPTURE	1
13	9691521	SCREW, 4 X 12, PK OF 14	2
14	9691511	SCREW, 4 X 20, PK OF 7	2
15	9690841	HOLDER, BAG REMOVER	1
16	9690851	KNOB, BAG REMOVAL	1
17	9691321	WASHER, 4.8mm ID X 14mm OD X 1.2mm THK	1
18	9691521	SCREW, 4 X 12, PK OF 14	1
19	9690881	LOCK, KNOB	1
20	9691301	SPRING, KNOB LOCK	1
21	9690861	SLED, BAG REMOVAL	1
22	9690871	CLIP, ROD	1
23	9691521	SCREW, 4 X 12, PK OF 14	1
24	9691311	LEAF SPRING	1
25	9691291	ROD, OSCILLATION	1

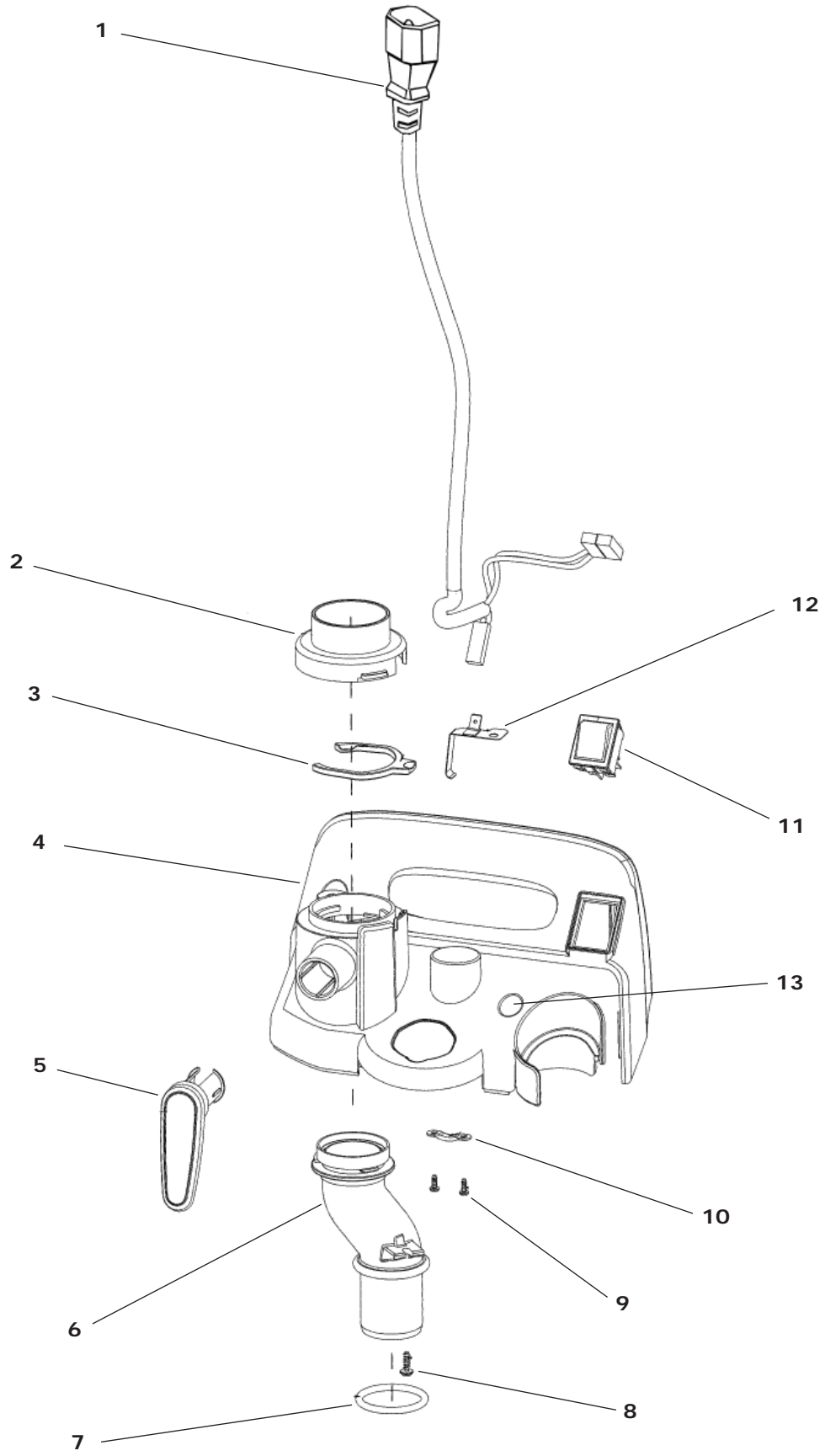
BODY ASSEMBLY



BODY TOP COVER ASSEMBLY

ITEM	PART No	DESCRIPTION	QTY
1	9697229	KIT, INLET CORD 120V NORTH AMERICA (INCLUDES ITEM 12)	1
1	9697149	KIT, INLET CORD 220V-230V (INCLUDES ITEM 12)	1
1	9690259	KIT, INLET CORD 120V 25' CORD MODEL N. AMERICA (INCLUDES ITEM 12)	1
2	9690761	COVER, HOSE TO BODY CONNECTOR	1
3	9690771	LOCKER, HOSE	1
4	9690511	COVER, TOP BODY HOUSING	1
5	9690801	CORD WRAP	1
6	9690901	HOSE SLEEVE	1
7	9692571	SEAL RING	1
8	9691521	SCREW, 4 X 12 PK OF 14	1
9	9693101	SCREW, 3 X 10	2
10	9690221	CLIP, WIRE	1
11	9692591	SWITCH	1
12	9690191	CONTACT, GROUND	1
13	9691501	SCREW, 5 X 20 PK OF 16	2

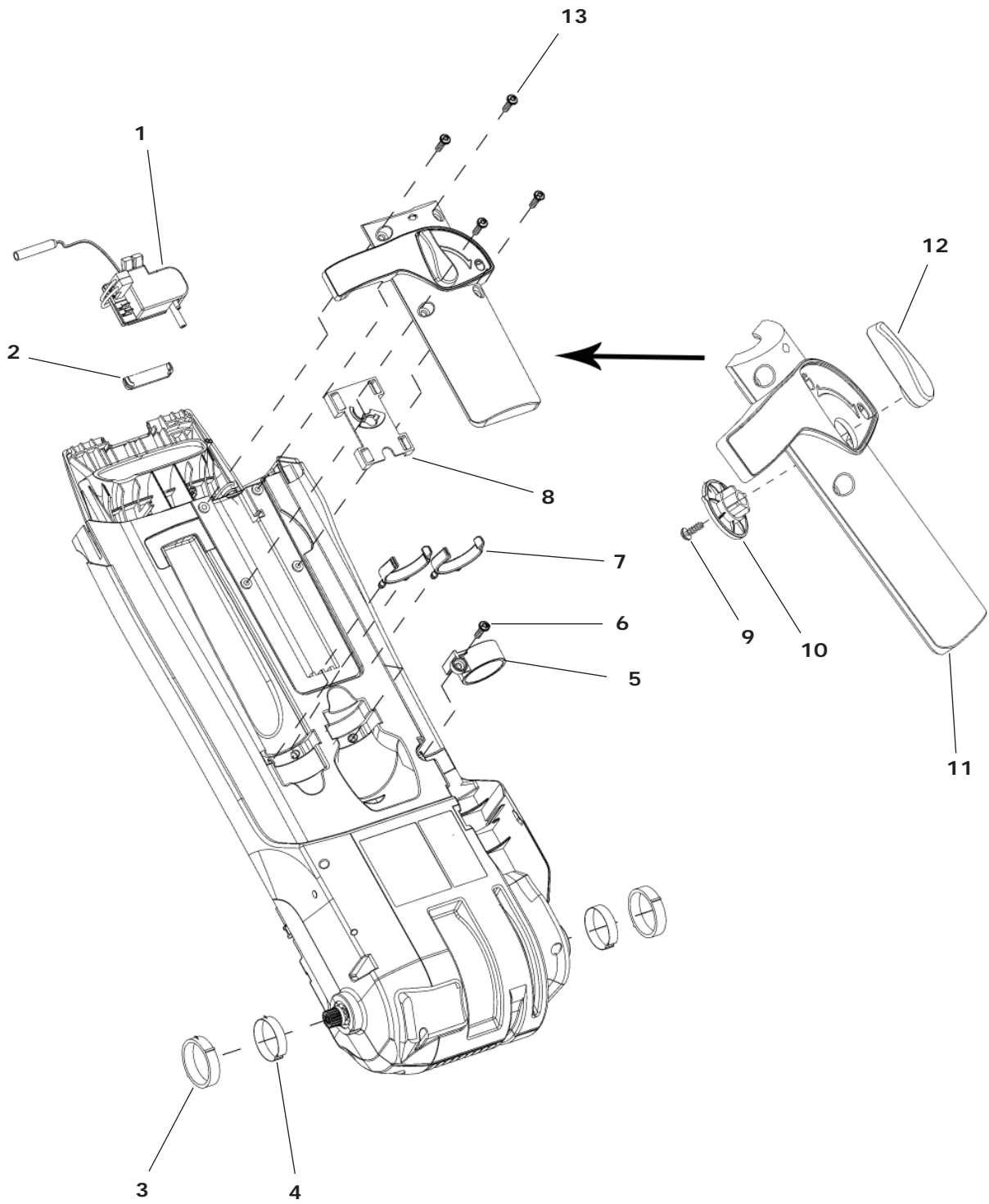
BODY TOP COVER ASSEMBLY



REAR BODY ASSEMBLY

ITEM	PART No	DESCRIPTION	QTY
1	9697159	ELECTRONIC ASSEMBLY KIT, 120V	1
	9697169	ELECTRONIC ASSEMBLY KIT, 220V-230V	1
2	9690831	COVER, LIGHT	1
3	9690811	HINGE SLEEVE, PLASTIC	2
4	9691261	HINGE SLEEVE, STEEL	2
5	9690611	RING, WAND HOLDING	1
6	9691501	SCREW, 5 X 20, PK OF 16	1
7	9690701	CLIP, TOOL HOLDING	2
8	-----	PLATE, HANDLE LOCK	1
9	9691521	SCREW, 4 X 12, PK OF 14	1
10	-----	LOCK, HANDLE LEVER	1
11	9697119	KIT, COVER, HANDLE BACK (INCLUDES ITEMS 8, 9, 10, 12, & 13)	1
12	-----	KNOB, HANDLE LOCK	1
13	9691501	SCREW, 5 X 20, PK OF 16	4

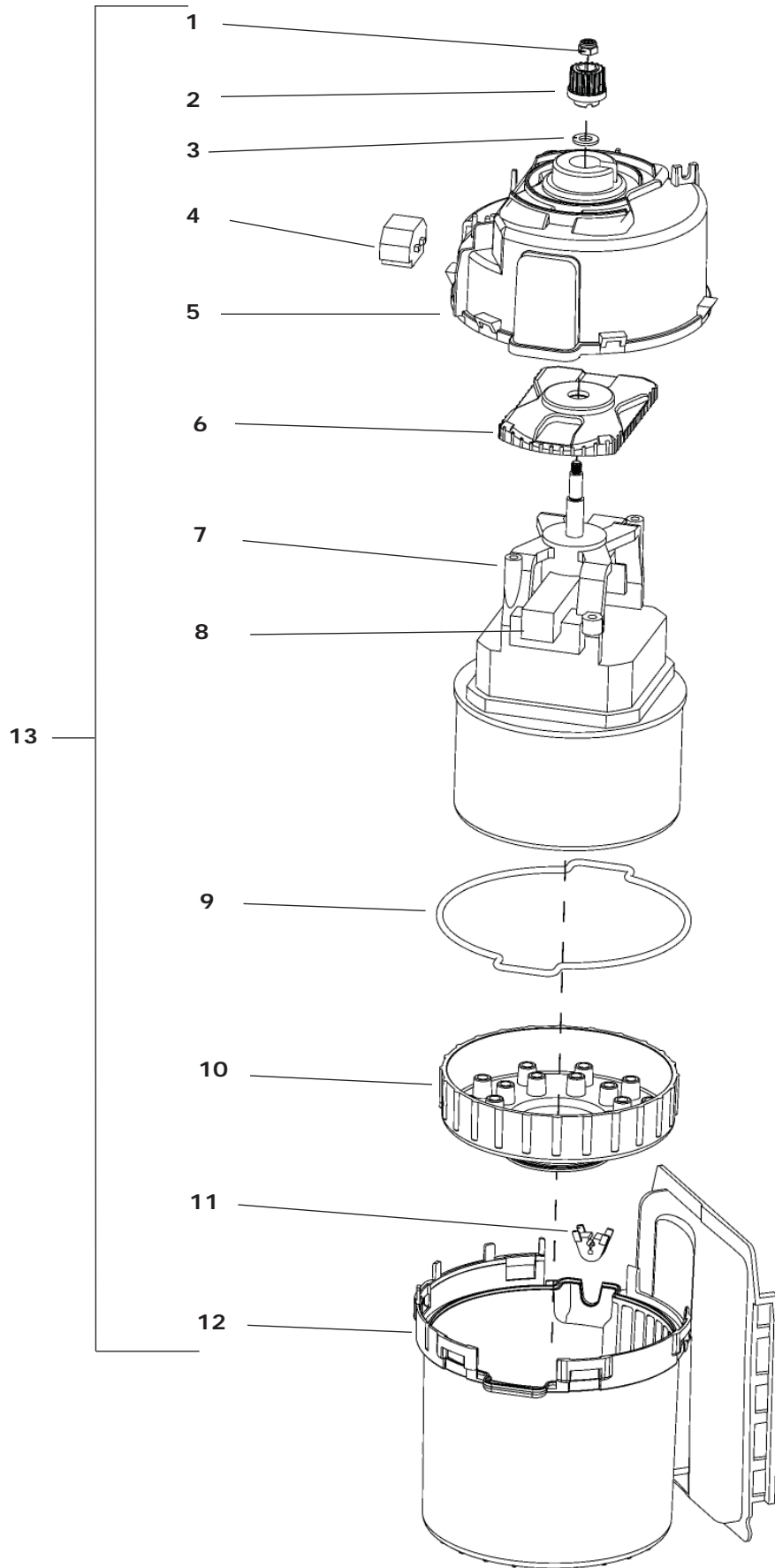
REAR BODY ASSEMBLY

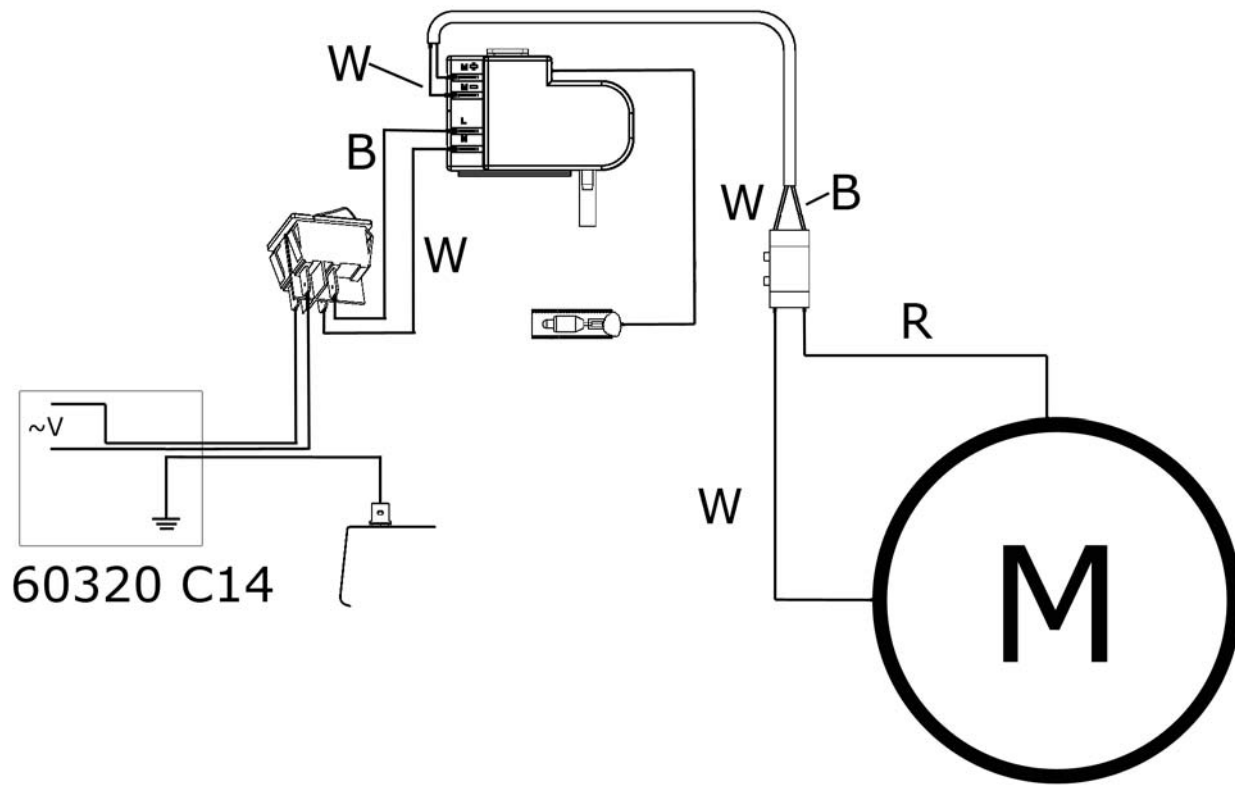


MOTOR AND HOUSING ASSEMBLY

ITEM	PART No	DESCRIPTION	QTY
1	9691221	NUT	1
2	9690571	MOTOR GEAR	1
3	9691211	WASHER	1
4	9692631	CONNECTOR, WIRE	1
5	9690561	COVER, MOTOR TOP	1
6	9691821	SEAL, MOTOR TOP	1
7	9697189	KIT, MOTOR, VACUUM 120VAC 50/60HZ (INCLUDES MOTOR & REPAIR INSTR.)	1
	9697209	KIT, MOTOR, VACUUM 240VAC 50/60HZ (INCLUDES MOTOR & REPAIR INSTR.)	1
	9693621	FOAM, MOTOR (INCLUDED IN MOTOR KIT) - NOT SHOWN	1
	9693651	TIE WRAP, MOTOR FOAM (INCLUDED IN MOTOR KIT) - NOT SHOWN	2
8	9697049	CARBON BRUSH KIT, REPLACEMENT 120V MOTOR (CONTAINS 2 BRUSHES)	1
	9697079	CARBON BRUSH KIT, REPLACEMENT 220V-230V MOTOR (CONTAINS 2 BRUSHES)	1
9	9691831	SEAL, MOTOR HOUSING	1
10	9691811	SEAL, MOTOR BOTTOM	1
11	9691841	SEAL, MOTOR LEADS	1
12	9690551	COVER, MOTOR BOTTOM	1
13	9697039	MOTOR AND HOUSING ASSY KIT, 120VAC	1
13	9697059	MOTOR AND HOUSING ASSY KIT, 230VAC	1

MOTOR AND HOUSING ASSEMBLY





NSS Enterprises, Inc.

3115 Frenchmens Road
 Toledo, OH 43607-2958
 USA

(800) 677-1663
 (419) 531-3761

mailus@nss.com
 www.nss.com