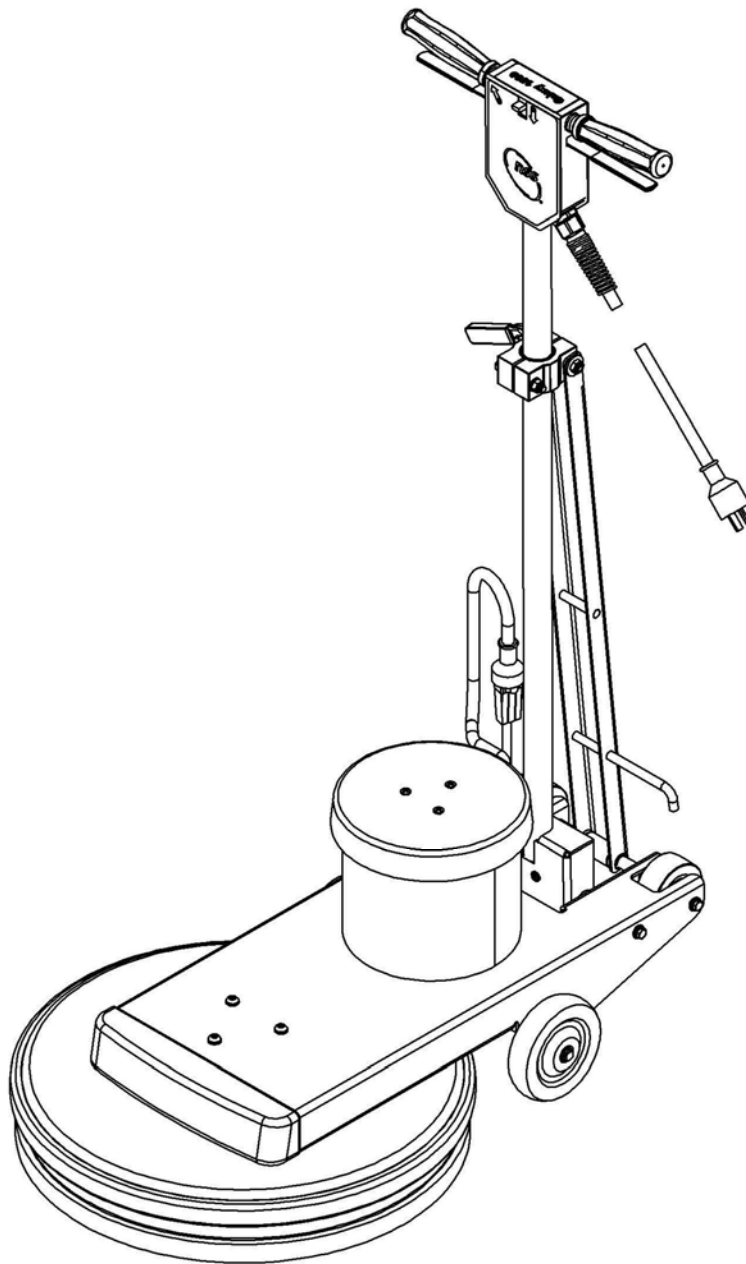


PARTS LIST
GALAXY 1500 BURNISHER



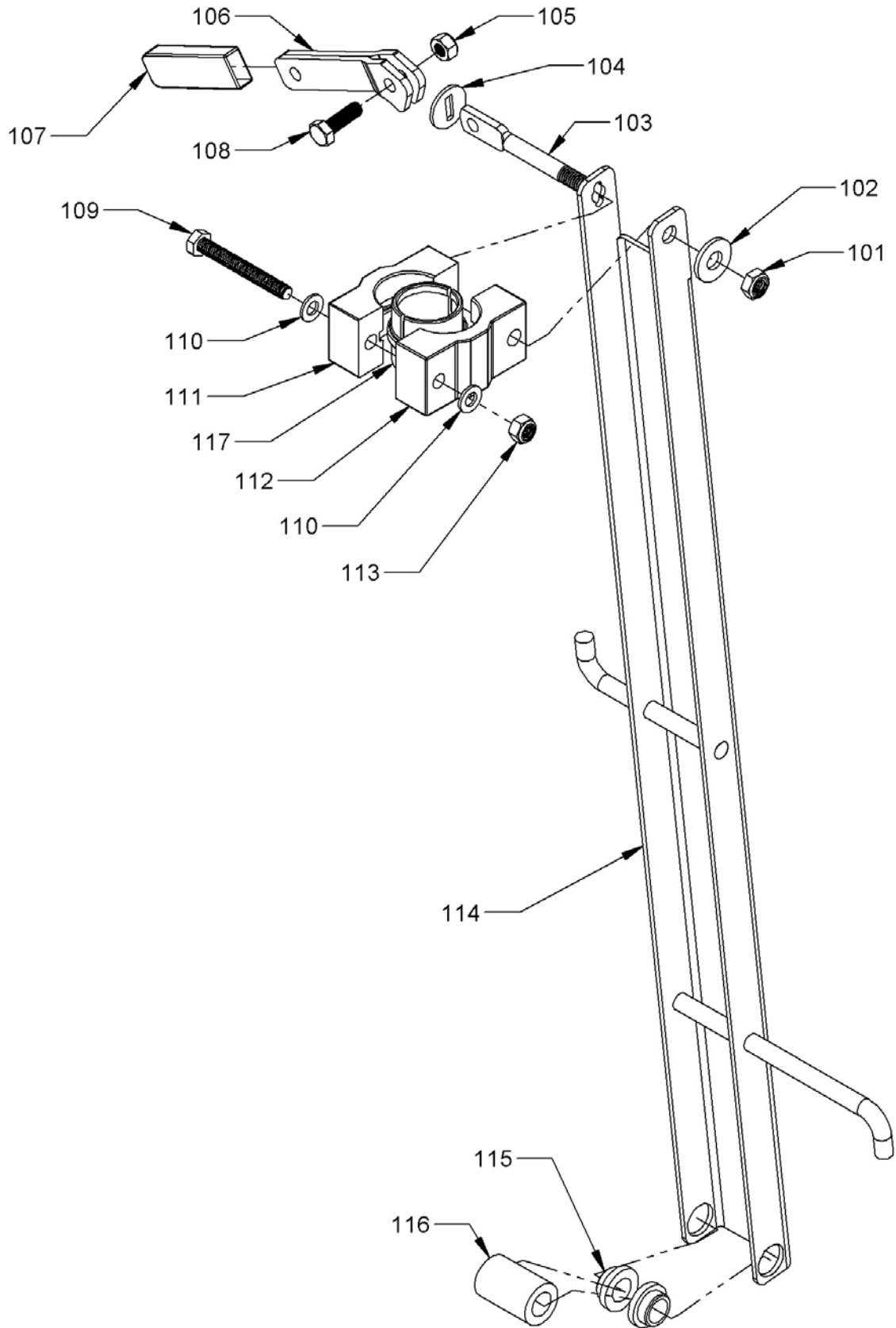
SAVE THESE INSTRUCTIONS



HANDLE BRACE ASSEMBLY

<u>ITEM</u>	<u>PART NO.</u>	<u>DESCRIPTION</u>	<u>QTY.</u>
101	0393801	3/8-16 HEX NUT W/ NYLOK INSERT	1
102	0393831	3/8 SAE FLAT WASHER	1
103	0393141	FLATTENED CLAMP BOLT	1
104	0393131	SLOTTED WASHER	1
105	0393961	M8 X 1.25 HEX NUT W/ NYLOK INSERT	1
106	0393121	CLAMP LEVER	1
107	0393321	HANDLE GRIP	1
108	0393971	M8 X 1.25 X 25mm HEX BOLT	1
109	0393981	M8 X 1.25 X 65mm HEX BOLT	1
110	0393951	M8 FLAT WASHER	2
111	0394171	HANDLE CLAMP – RIGHT	1
112	0394161	HANDLE CLAMP – LEFT	1
113	0393961	M8 X 1.25 HEX NUT W/ NYLOK INSERT	1
114	0396321	HANDLE BRACE	1
115	0393641	BUSHING – LOWER HANDLE	2
116	0396511	SPACER HANDLE	1
117	0394181	SPLIT BUSHING	1

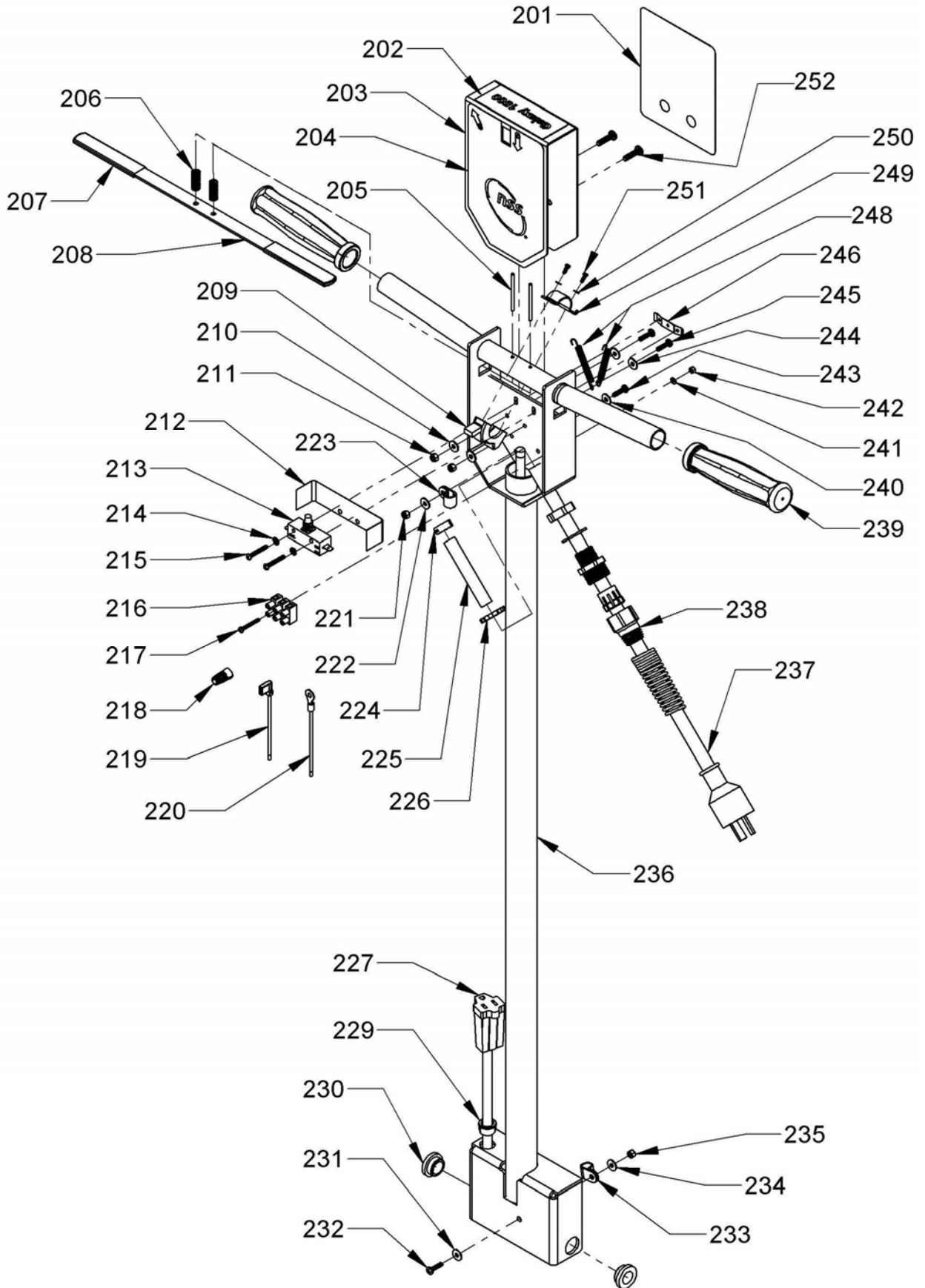
HANDLE BRACE ASSEMBLY



HANDLE ASSEMBLY

<u>ITEM</u>	<u>PART NO.</u>	<u>DESCRIPTION</u>	<u>QTY</u>
201	0190681	SAFETY DECAL	1
202	0397031	IDENTIFIER LABEL – GALAXY 1500	1
203	0393351	SWITCH BOX COVER	1
204	0397061	SWITCHBOX LABEL	1
205	0393561	ROLL PIN	2
206	0393391	SWITCH LEVER SPRING	2
207	0393411	GRIP – SWITCH LEVER	2
208	0393401	SWITCH LEVER	1
209	0393521	SAFETY LOCKOUT	1
210	0393891	M4 FLAT WASHER	2
211	0393901	M4 X 0.7 HEX NUT W/ NYLOK INSERT	2
212	0393421	SWITCH INSULATOR	1
213	5390211	SWITCH	1
214	9120130	#6 EXTERNAL STAR LOCK WASHER – PACK OF 10	2
215	9120100	#6-32 X 1” LG RND HD PHILLIPS MACH SCREW – PACK OF 10	2
216	5391931	TERMINAL BLOCK – 240 VOLT ONLY	1
217	0393871	M3 X 0.5 X 25mm PAN HEAD PHILLIPS MACHINE SCREW	1
218	5391321	WIRE NUT (ORANGE)	1
219	0393091	WIRE – DEAD/TERMINAL – 240 VOLT ONLY	1
220	0393081	WIRE – GROUND/TERMINAL – 240 VOLT ONLY	1
221	0393901	M4 X 0.7 HEX NUT W/ NYLOK INSERT	1
222	0393891	M4 FLAT WASHER	1
223	5294201	CORD CLAMP	1
224	0393311	CORD CLAMP – CRIMP ON	1
225	8791071	VINYL TUBE – 240 VOLT ONLY	1
226	5390261	REPLACEMENT STRAIN RELIEF NUT	1
227	0393451	HANDLE CORD	1
228	0393631	PLUG/CORD COVER – HANDLE	1
229	0393341	CORD GROMMET	1
230	0393641	BUSHING – LOWER HANDLE	2
231	0393891	M4 FLAT WASHER	1
232	0393911	M4 X 0.7 X 16mm PAN HEAD PHILLIPS MACHINE SCREW	1
233	5294201	CORD CLAMP	1
234	0393891	M4 FLAT WASHER	1
235	0393901	M4 X 0.7 HEX NUT W/ NYLOK INSERT	1
236	0393371	HANDLE	1
237	5091561	CORD 50 FOOT, 14-3 – 120 VOLT ONLY	1
	0393471	SHUKO CORD, 16-3 – 240 VOLT ONLY	1
238	0393491	CORD STRAIN RELIEF – 120 VOLT ONLY	1
	0299531	CORD STRAIN RELIEF – 240 VOLT ONLY	1
239	0393441	HANDLE GRIP	2
240	0393891	M4 FLAT WASHER	1
241	9124017	M3 FLAT WASHER – 240 VOLT ONLY	1
242	0393861	M3 X 0.5 HEX NUT W/ NYLOK INSERT – 240 VOLT ONLY	1
243	0393911	M4 X 0.7 X 16mm PAN HEAD PHILLIPS MACHINE SCREW	1
244	0393891	M4 FLAT WASHER	2
245	0393911	M4 X 0.7 X 16mm PAN HEAD PHILLIPS MACHINE SCREW	2
246	9120025	#6-32 DOUBLE HOLE SPEED NUT	1
248	0393381	SPRING	2
249	0393511	SAFETY LOCKOUT BRACKET	1
250	0393841	M3 EXTERNAL STAR LOCK WASHER	2
251	0393881	M3 X 0.5 X 8mm PAN HEAD PHILLIPS MACHINE SCREW	2
252	0393931	M5 X 0.8 X 20mm PAN HEAD PHILLIPS MACHINE SCREW	2

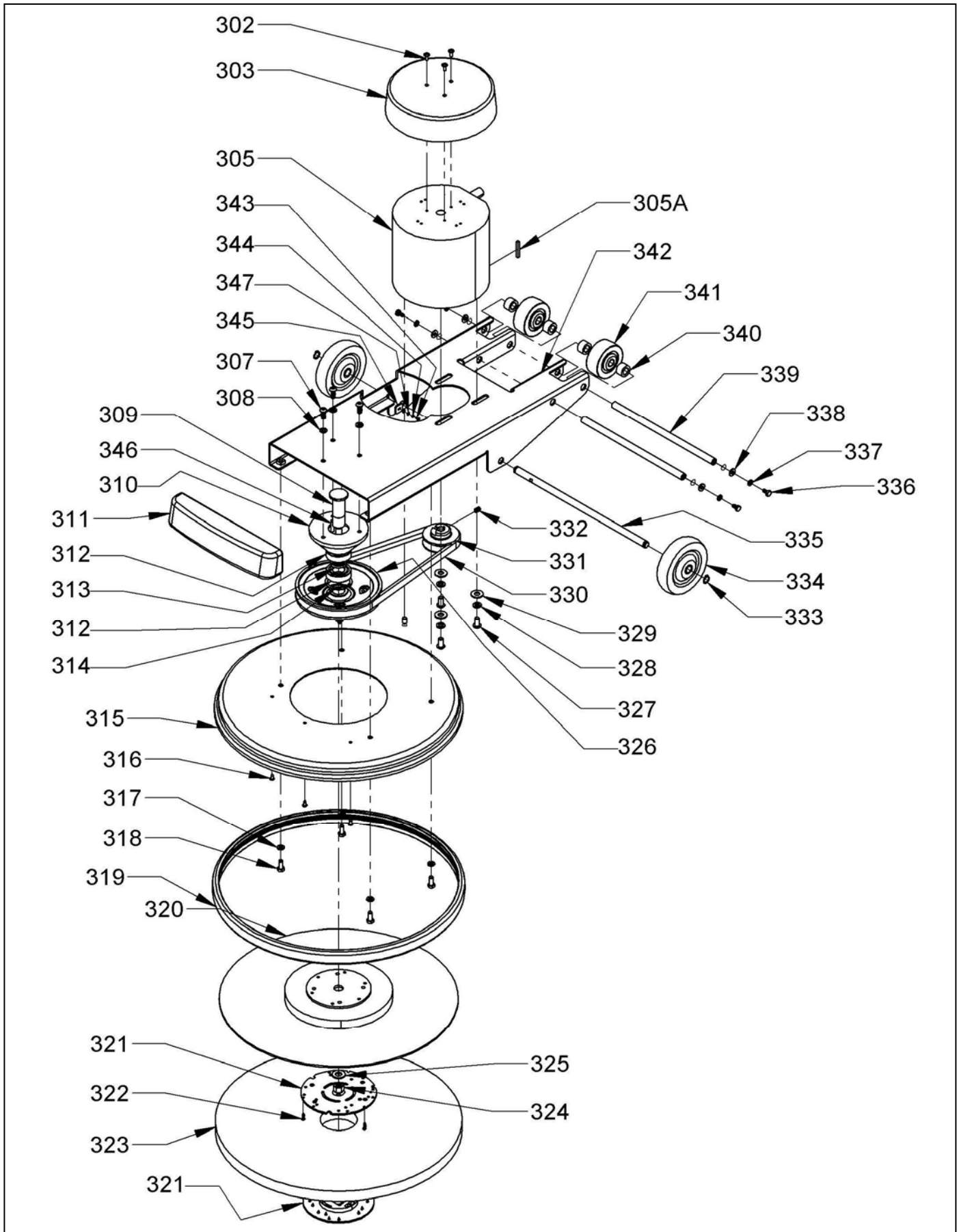
HANDLE ASSEMBLY



BASE/MOTOR ASSEMBLY

ITEM	PART NO.	DESCRIPTION	QTY
302	0393781	#10-32 X 1/2 TRUSS HEAD SCREW	3
303	0393771	MOTOR COVER	1
305	5991511	MOTOR, 115 VOLT, 1.5 HP	1
	0395731	MOTOR, 230 VOLT, 1.5 HP	1
305A	9120829	3/16 SQ X 1 1/2" LONG KEY – PACK OF 4	1
307	0395931	M8 X 1.25 X 20mm BUTTON HEAD CAP SCREW	3
308	0395921	M8 SPLIT LOCK WASHER	3
309	0395231	PULLEY SHAFT	1
310	0395221	BEARING HOUSING	1
311	5990091	PULLEY COVER	1
312	0395201	BALL BEARING	2
313	0395261	BEARING SPACER	1
314	0395251	RETAINING RING	1
315	0396201	SKIRT	1
316	9120810	#10 X 1/2 PAN HD PHILLIPS SHEETMETAL SCREW – PK OF 10	3
317	9121520	5/16 SPLIT LOCK WASHER – PACK OF 10	4
318	9121680	5/16-18 X 1 HEX BOLT – PACK OF 5	4
319	0395831	BUMPER, 20"	1
320	5990759	FLEXIBLE PAD DRIVER ASSEMBLY – INCLUDES:	
	5990741	PAD DRIVER	1
321	5990731	SPRING CLIP PAD HOLDER – INCLUDES:	1
322	9120140	#6 X 5/8 PAN HEAD PHILLIPS SHEETMETAL SCREW	3
323	-----	PAD – SEE ACCESSORIES PAGE FOR OPTIONS	1
324	9122450	1/2 SAE FLAT WASHER – PACK OF 5	1
325	9122507	1/2-13 HEX NUT W/ NYLOK INSERT – PACK OF 1	1
326	0395211	PULLEY – INCLUDES:	1
	9121043	1/4 X 1 1/8 ROLL PIN – PACK OF 5	4
327	9122030	3/8-16 X 3/4 BUTTON HD SOCKET CAP SCREW – PACK OF 2	4
328	9122100	3/8 SPLIT LOCK WASHER – PACK OF 10	4
329	9121980	3/8 SAE FLAT WASHER – PACK OF 2	4
330	0396131	BELT	1
331	5294491	MOTOR PULLEY – INCLUDES:	1
332	9121380	5/16-18 X 3/8 KNURL POINT SET SCREW	1
333	0393251	RETAINING RING	2
334	0393231	5" SOFT GRAY RUBBER WHEEL	2
335	0395271	AXLE	1
336	9121170	1/4-20 X 1/2 LONG HEX HEAD BOLT – PACK OF 10	4
337	9120880	1/4 SPLIT LOCK WASHER – PACK OF 10	4
338	9120930	1/4 SAE FLAT WASHER – PACK OF 10	4
339	0395281	HANDLE SHAFT	2
340	0395301	REAR WHEEL SPACER	4
341	0395291	3" WHEEL	2
342	0395241	GALAXY 1500 FRAME	1
343	0395801	ANTI-ROTATION LOCK TAB	1
344	0395811	M3 LOCK WASHER	1
345	0395821	M3 X 0.5 X 8mm LONG BUTTON HEAD CAP SCREW	1
346	0395841	KEY	1
347	9124017	M3 FLAT WASHER	2

BASE/MOTOR ASSEMBLY

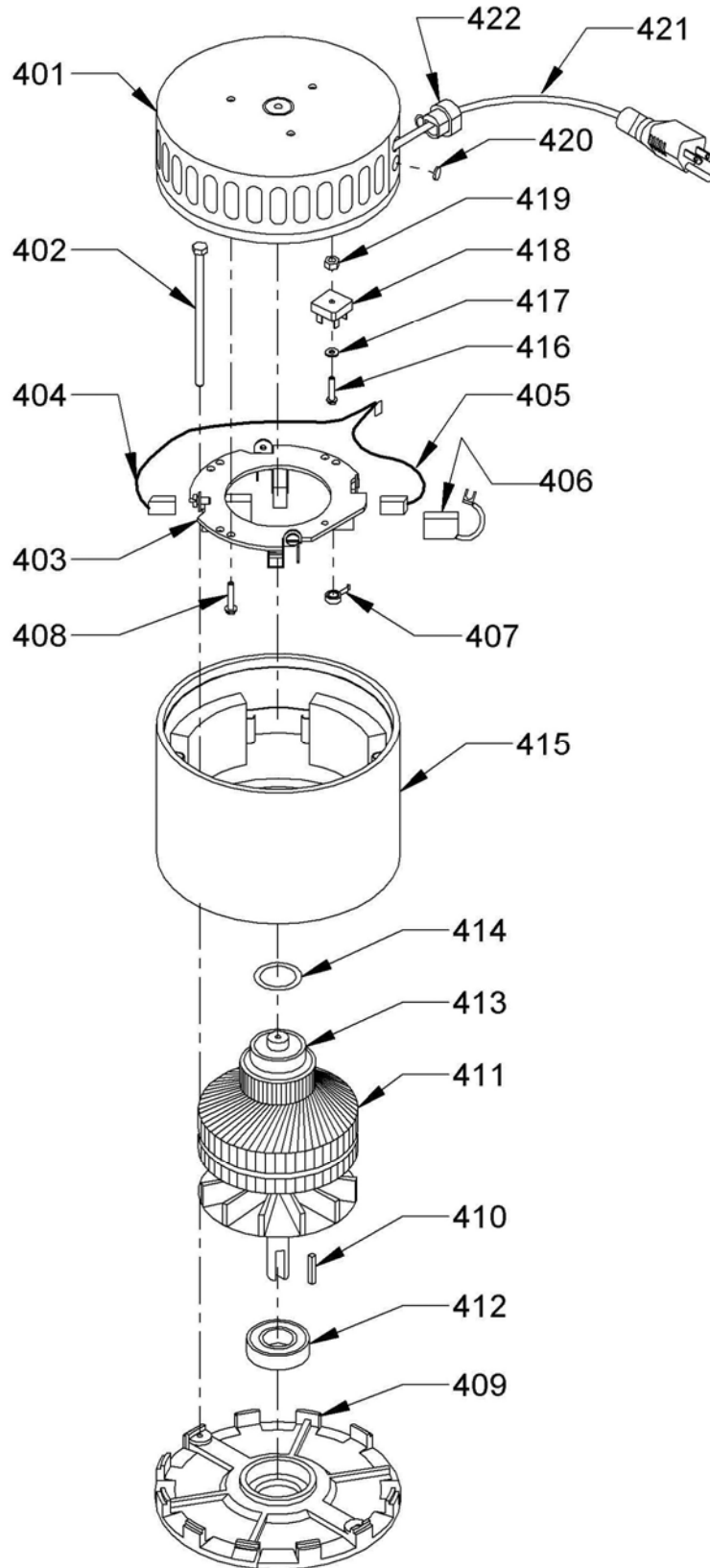


MOTOR ASSEMBLY

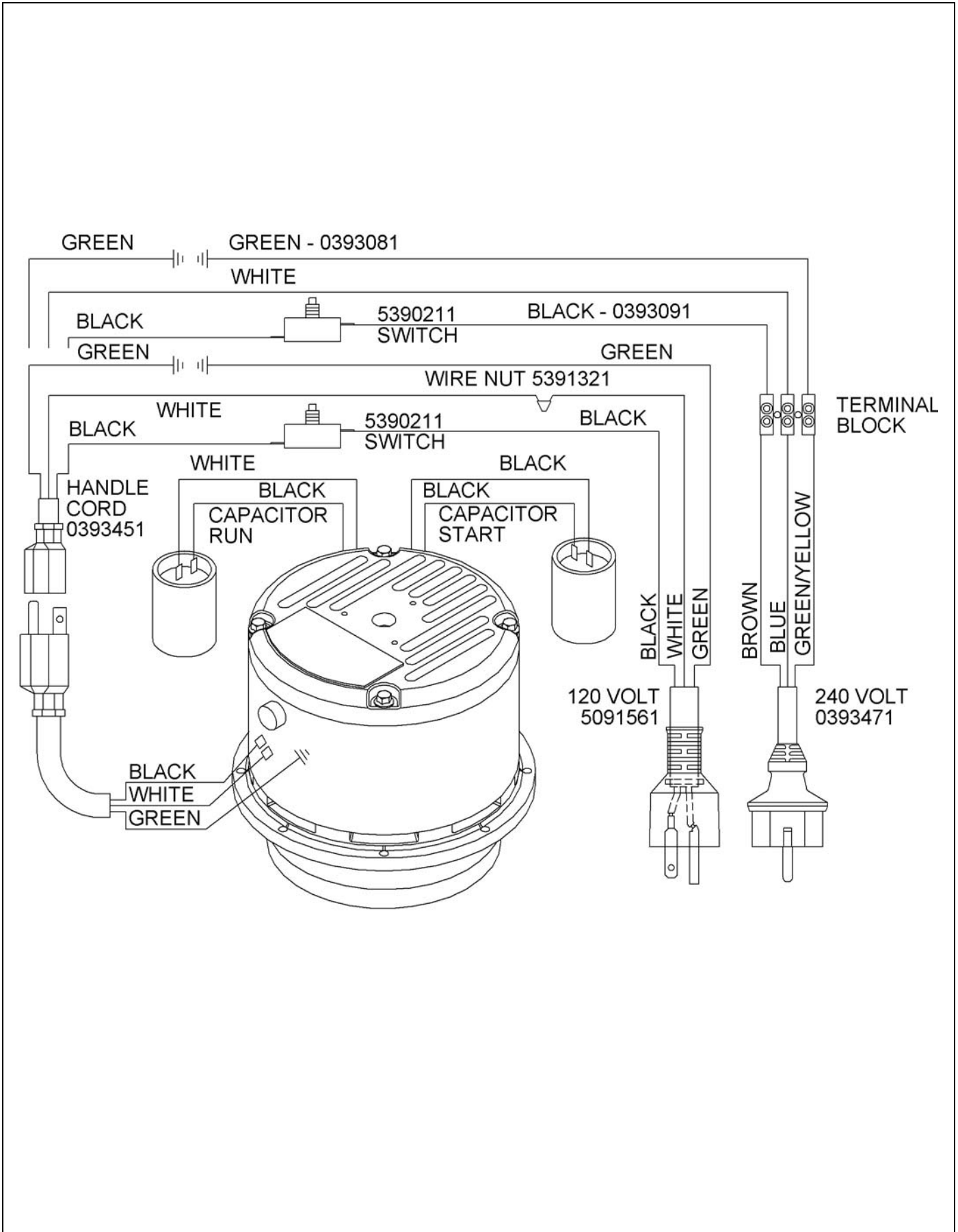
ITEM	PART NO.	DESCRIPTION	QTY
	<u>5991511</u>	<u>COMPLETE MOTOR – 115 VOLT – 1.5 HP</u>	
401	-----	COMMUTATOR BRACKET ASSEMBLY WITH BRUSH, BOARD, LEADS	1
	5991571	COMMUTATOR BRACKET	1
	5991731	COMMUTATOR BRACKET COVER	1
402	5991701	THRU BOLT	2
403	5991611	BRUSH BOARD ASSY W/ BRUSHES, SPRINGS, DETECTORS, LEADS	1
	5991641	VARIATOR ASSEMBLY W/ SLEEVING AND TERMINALS	1
404	5991621	RED LEAD ASSEMBLY	1
405	5991631	YELLOW LEAD ASSEMBLY	1
406	5293651	CARBON BRUSH	1
407	2797571	BRUSH SPRING	1
408	-----	#10-24 X 1/2 SELF TAPPING SCREW	4
409	5991721	BRACKET – BOTTOM END	1
410	9120829	3/16 SQ X 1 1/2" LONG KEY – PACK OF 4	1
411	5991531	ARMATURE ASSEMBLY INCLUDES:	1
412	5991541	BEARING – BOTTOM END	1
413	5991551	BEARING – TOP END	1
414	5991741	HELICAL WASHER	1
415	5991521	STATOR FRAME ASSEMBLY – W/ CLIPS AND MAGNETS	1
416	5991661	#8-32 X 1 1/8 LONG MOUNTING SCREW	1
417	5991671	M8 FLAT WASHER – BRASS	1
418	5492741	RECTIFIER	1
419	5991681	HEX NUT W/ STAR LOCK WASHER	1
420	5991581	HOLE PLUG	1
421	5991691	MOTOR CORD	1
422	5991591	STRAIN RELIEF	1
	<u>0395731</u>	<u>COMPLETE MOTOR 230 VOLT – 1.5 HP</u>	
401	0396011	COMMUTATOR BRACKET ASSEMBLY W/ BRUSH, BOARD, LEADS	1
	0396021	COMMUTATOR BRACKET	1
	5991731	COMMUTATOR BRACKET COVER	1
	0396031	COMMUTATOR BRACKET COVER SCREW	4
402	5991701	THRU BOLT	2
403	-----	BRUSH BOARD ASSY W/ BRUSHES, SPRINGS, DETECTORS, LEADS	1
	0396051	VARIATOR ASSEMBLY W/ SLEEVING AND TERMINALS	1
404	5991621	RED LEAD ASSEMBLY	1
405	0396061	YELLOW LEAD ASSEMBLY	1
406	2393241	CARBON BRUSH	4
407	0396081	BRUSH SPRING	4
408	-----	#10-24 X 1/2 SELF TAPPING SCREW	5
409	5991721	BRACKET – BOTTOM END	1
410	9120829	3/16 SQ X 1 1/2" LONG KEY – PACK OF 4	1
411	0396091	ARMATURE ASSEMBLY INCLUDES:	1
412	5991541	BEARING – BOTTOM END	1
413	5991551	BEARING – TOP END	1
414	5991741	HELICAL WASHER	1
415	5991521	STATOR FRAME ASSEMBLY – W/ CLIPS AND MAGNETS	1
416	5991661	#8-32 X 1 1/8 MOUNTING SCREW	1
417	5991671	M8 FLAT WASHER – BRASS	1
418	0396101	RECTIFIER	1
419	5991681	HEX NUT W/ STAR LOCK WASHER	1
420	0396111	HOLE PLUG	1
421	5991691	MOTOR CORD	1
422	5991591	STRAIN RELIEF	2

MOTOR ASSEMBLY

115/230 VOLT MOTOR



WIRING DIAGRAM



ACCESSORIES



<u>PART NO.</u>	<u>PART DESCRIPTION</u>
------------------------	--------------------------------

NOTE:	ALL PADS COME 5 PADS PER CASE
-------	-------------------------------

7992061	20" LITE HAIR BURNISH PAD – FOR ALL FINISHES
7992081	20" ULTRA HAIR HARD FINISH PAD – FOR HARD FINISH
7992091	20" ULIMATE HAIR PAD – HARD FINISH AGGRESSIVE BURNISHING
7992001	20" BLACK STRIP PAD – REMOVES FINISH COMPLETELY
7992011	20" BROWN STRIP PAD – REMOVES FINISH COMPLETELY



NSS® Enterprises, Inc.

3115 Frenchmens Road
Toledo, Ohio 43607
PHONE (419) 531-2121
FAX (419) 531-3761

mailus@nss.com
www.nss.com